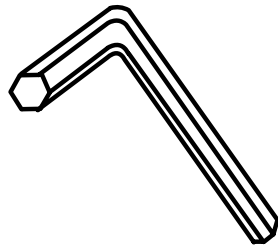


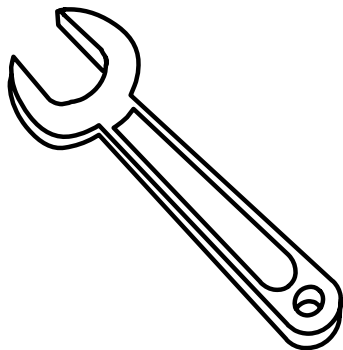
Assembly

**To unpack
bundle**

14 mm Allen Key

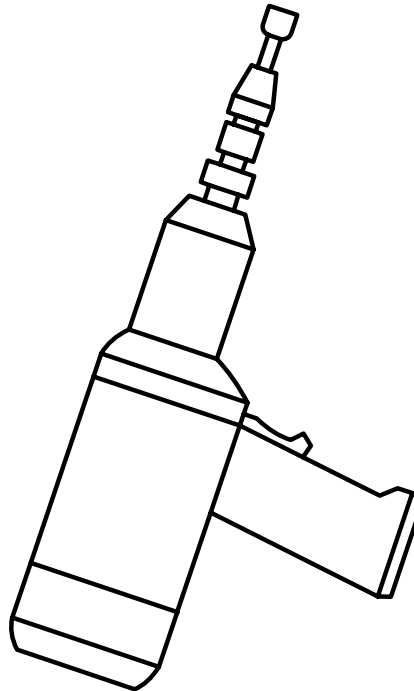


30 mm Spanner key



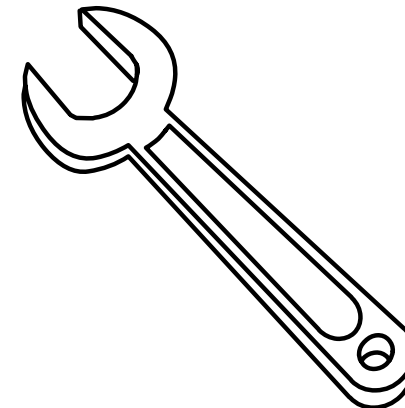
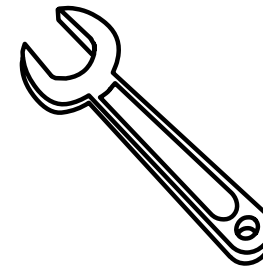
**To assemble
posts**

**12 mm Allen Key
with high speed
screw drill**



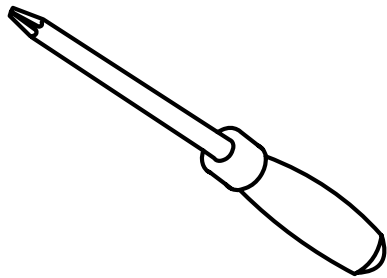
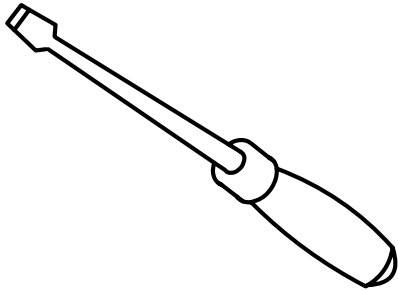
**To fit
panels**

**14 and 17 mm
spanner keys**

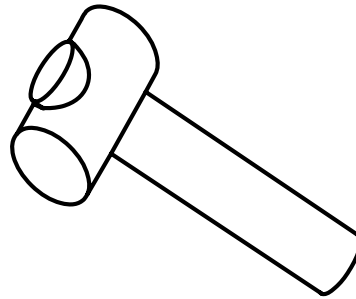


For finishing

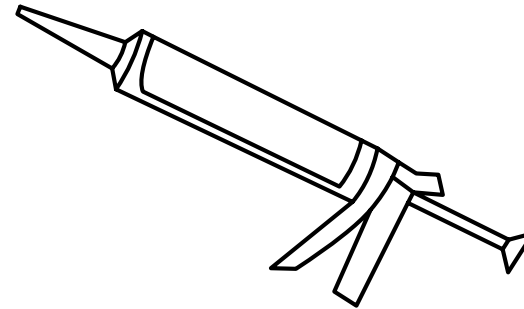
**Screw drivers
for slotted and
cross head screws**



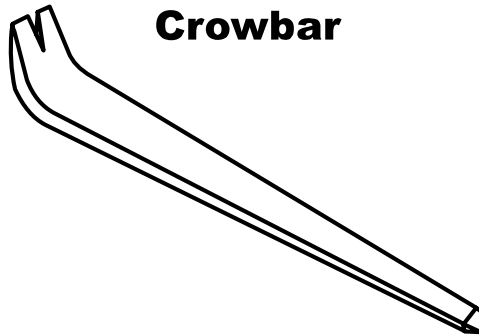
Hammer



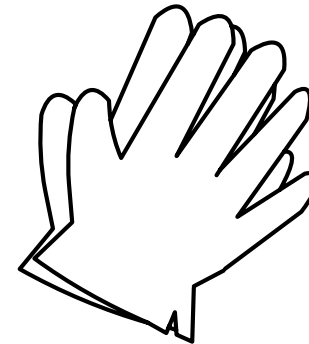
Silicon putty



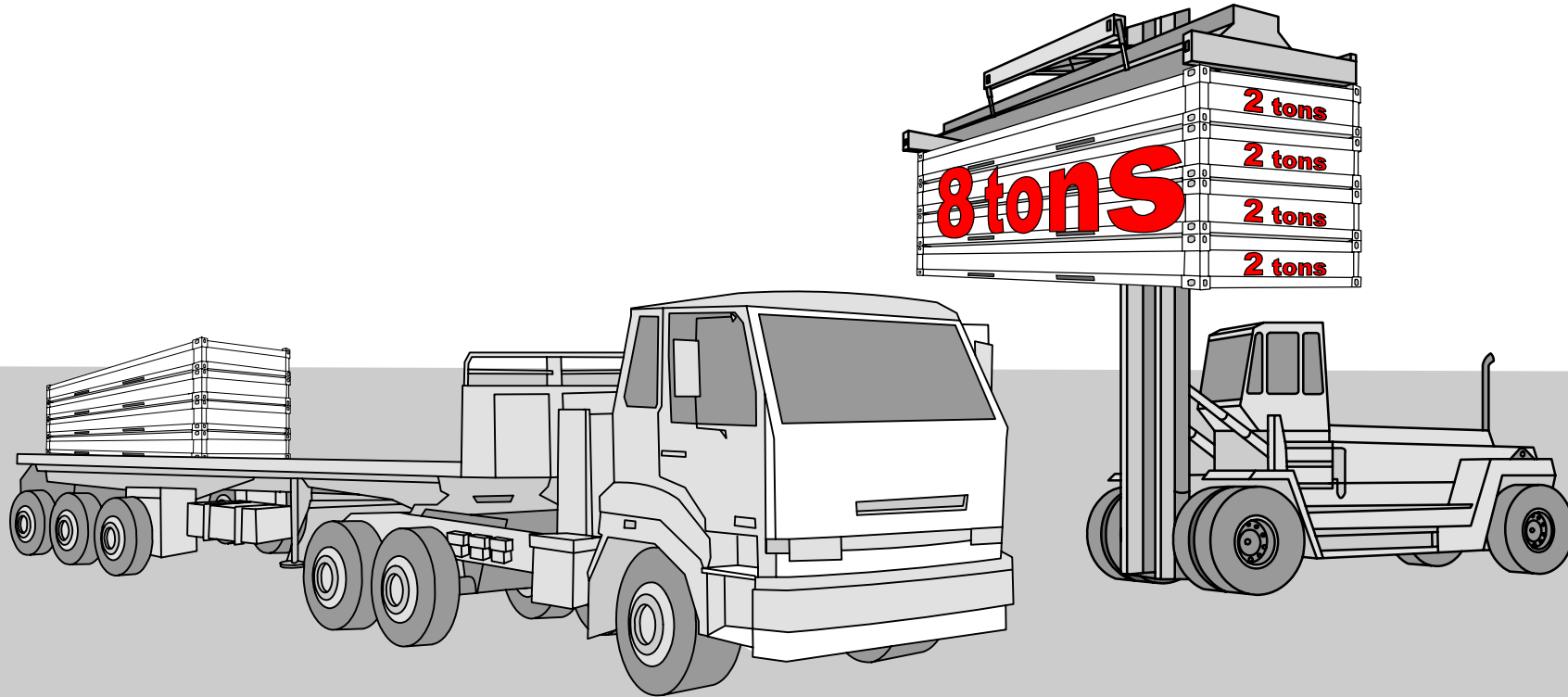
Crowbar



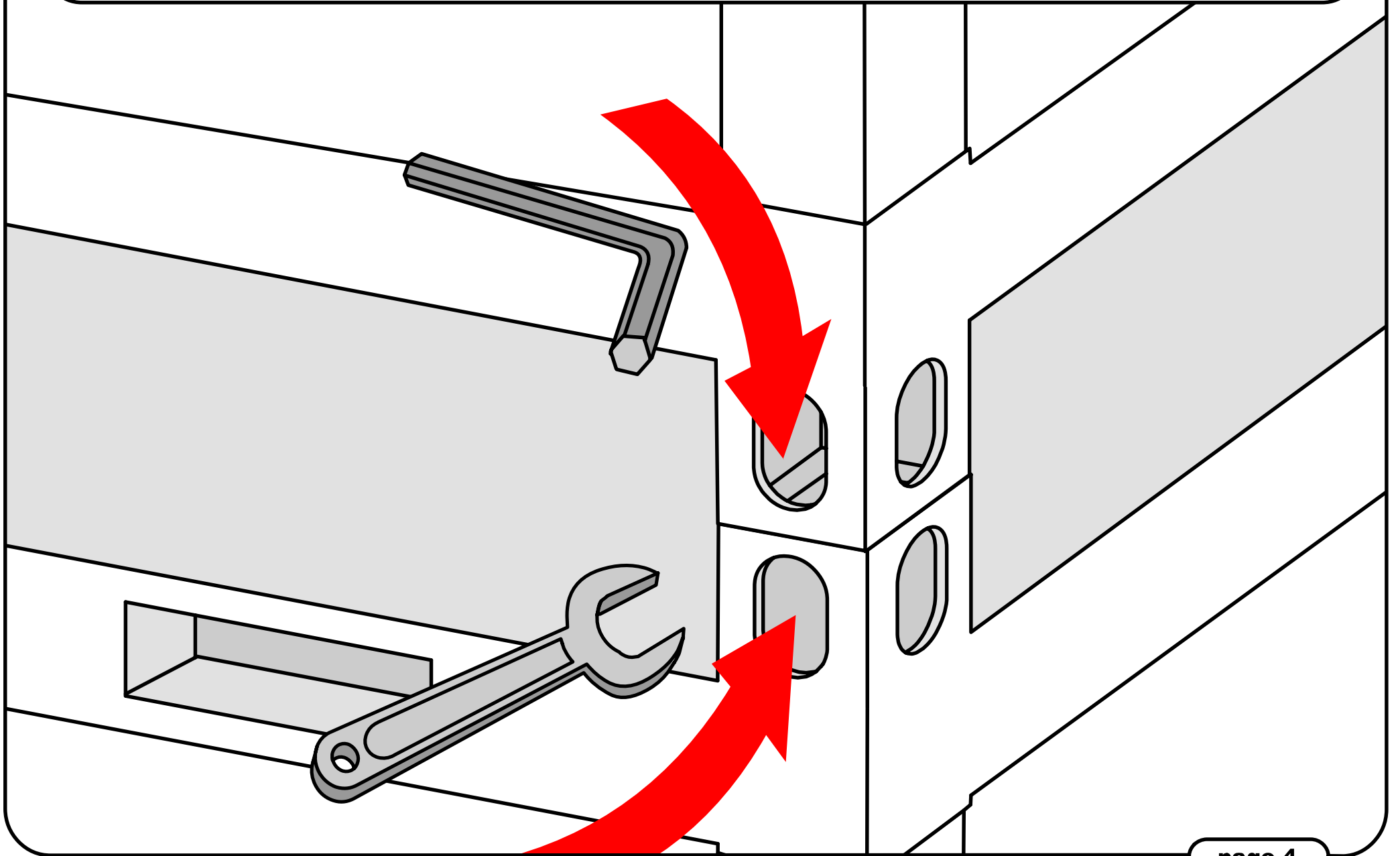
Rubber gloves

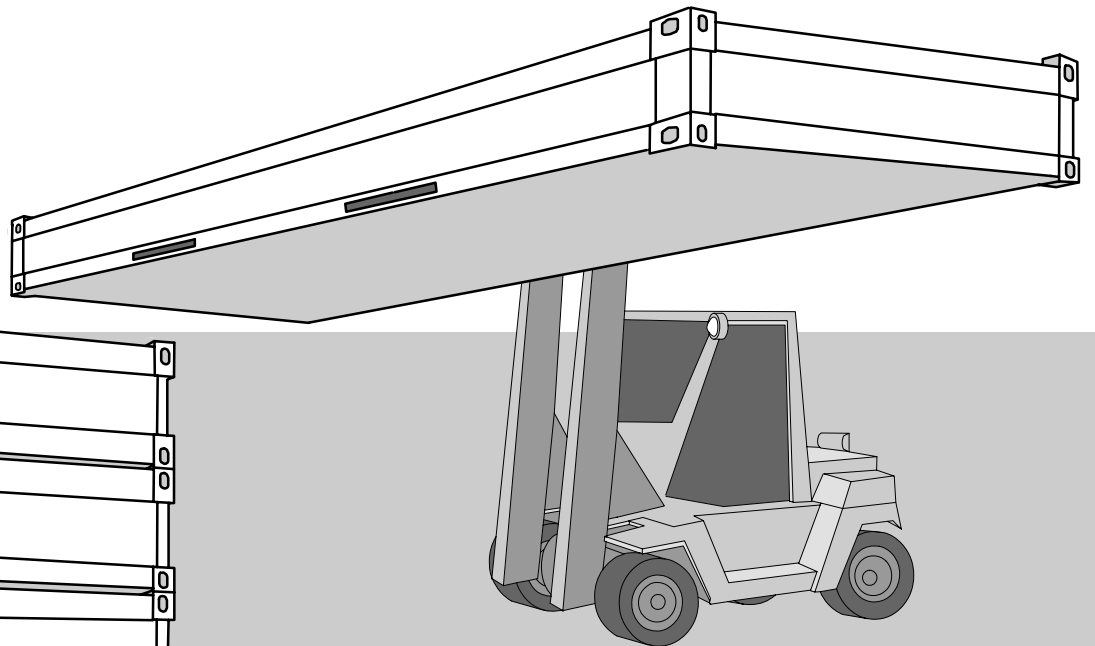
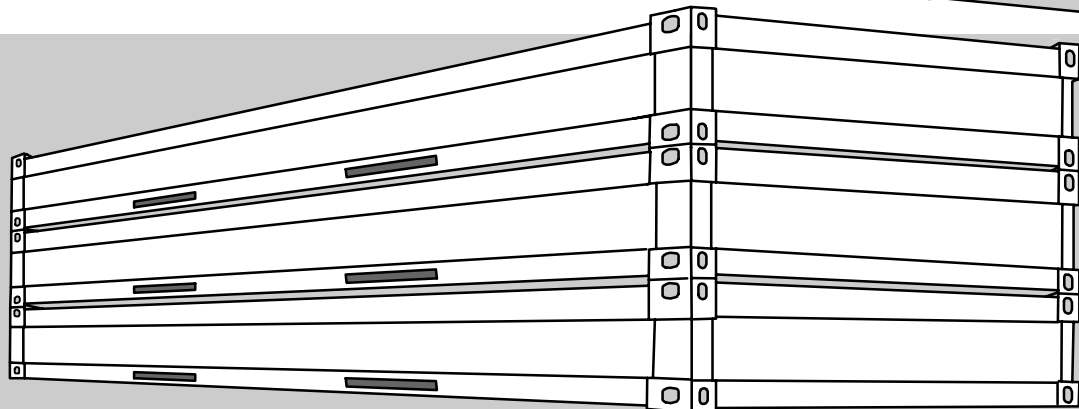


WARNING: Do not handle the bundle with forklift truck or side stacker

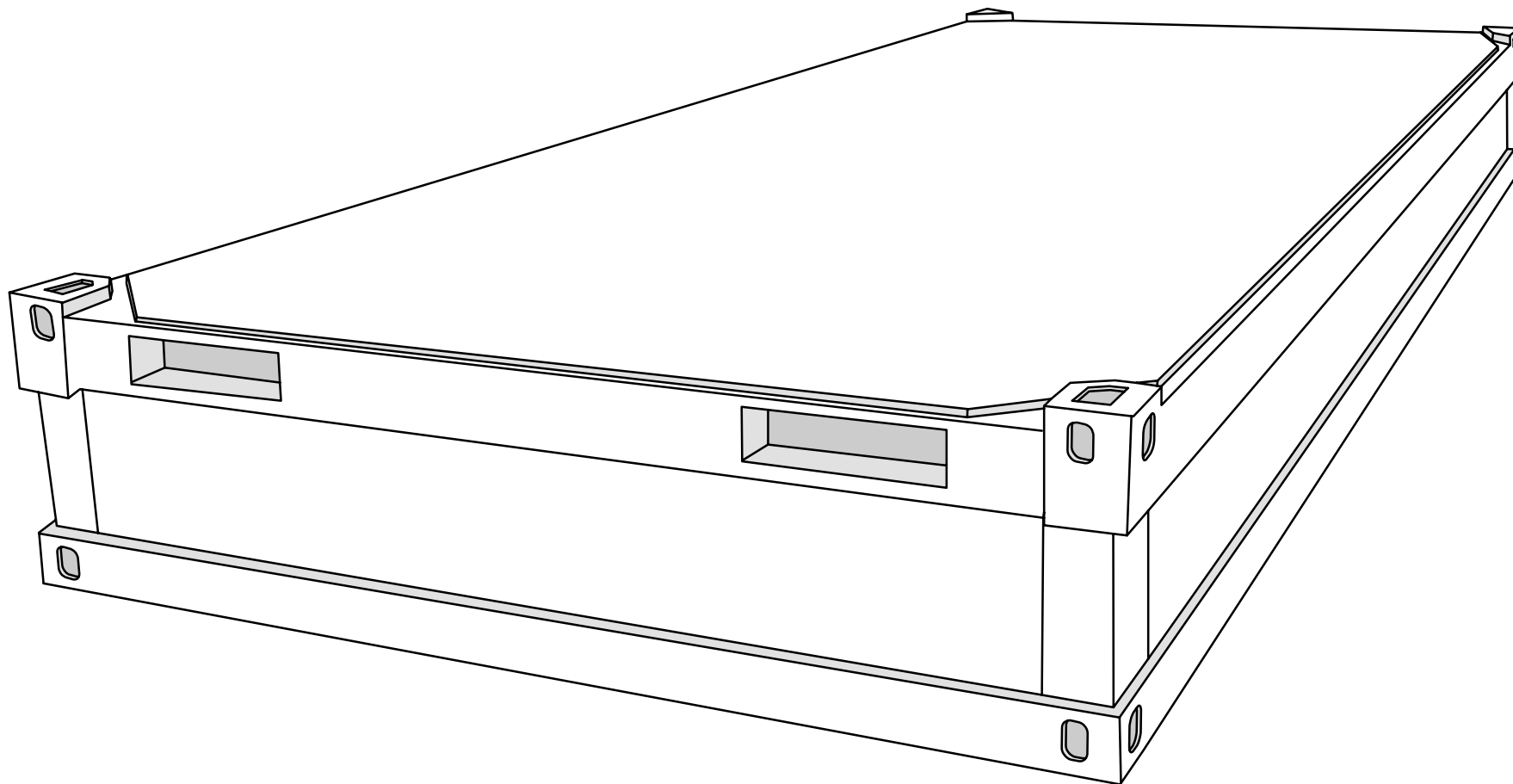


Remove the screws locking the corner castings of the kit

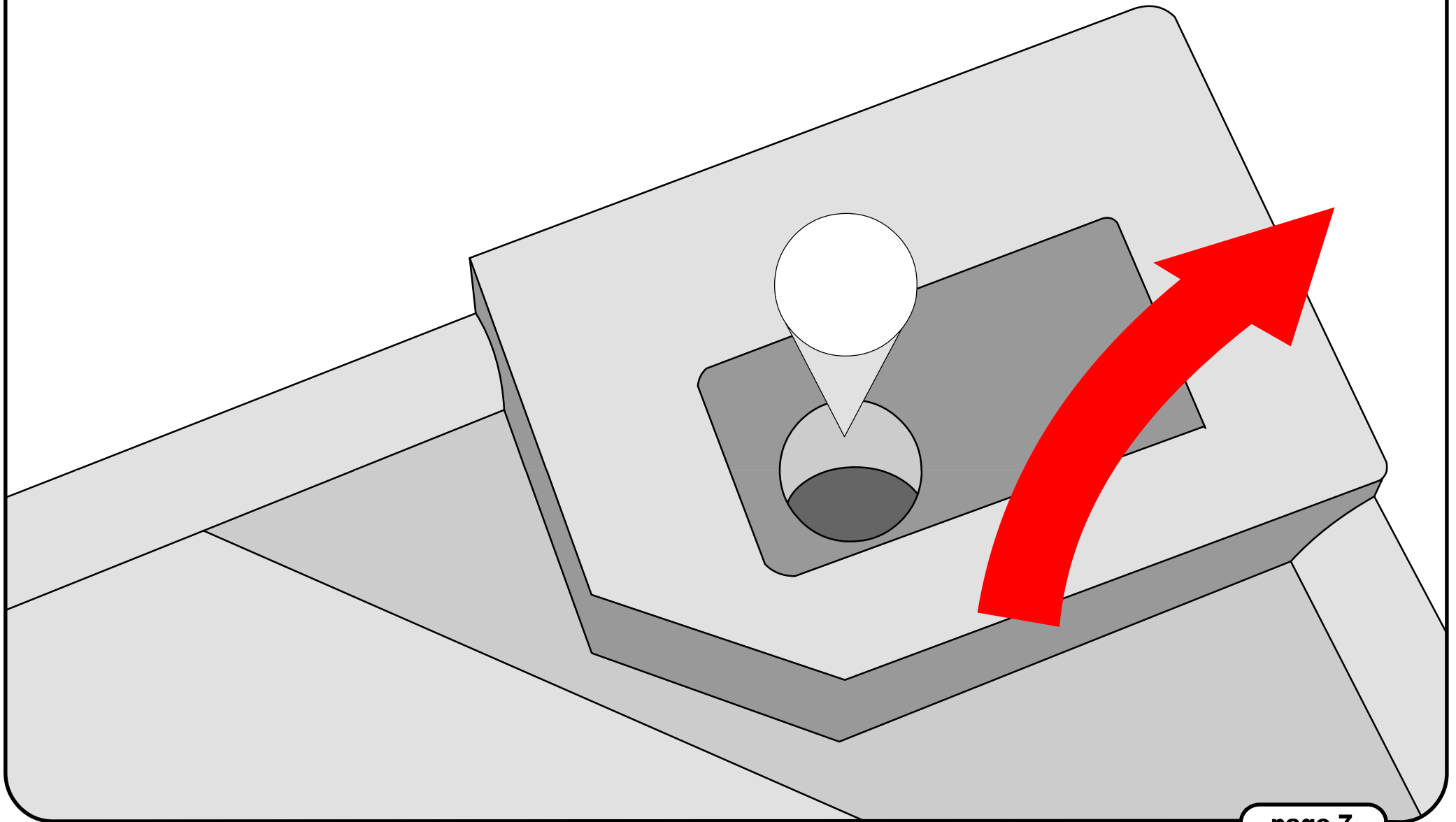




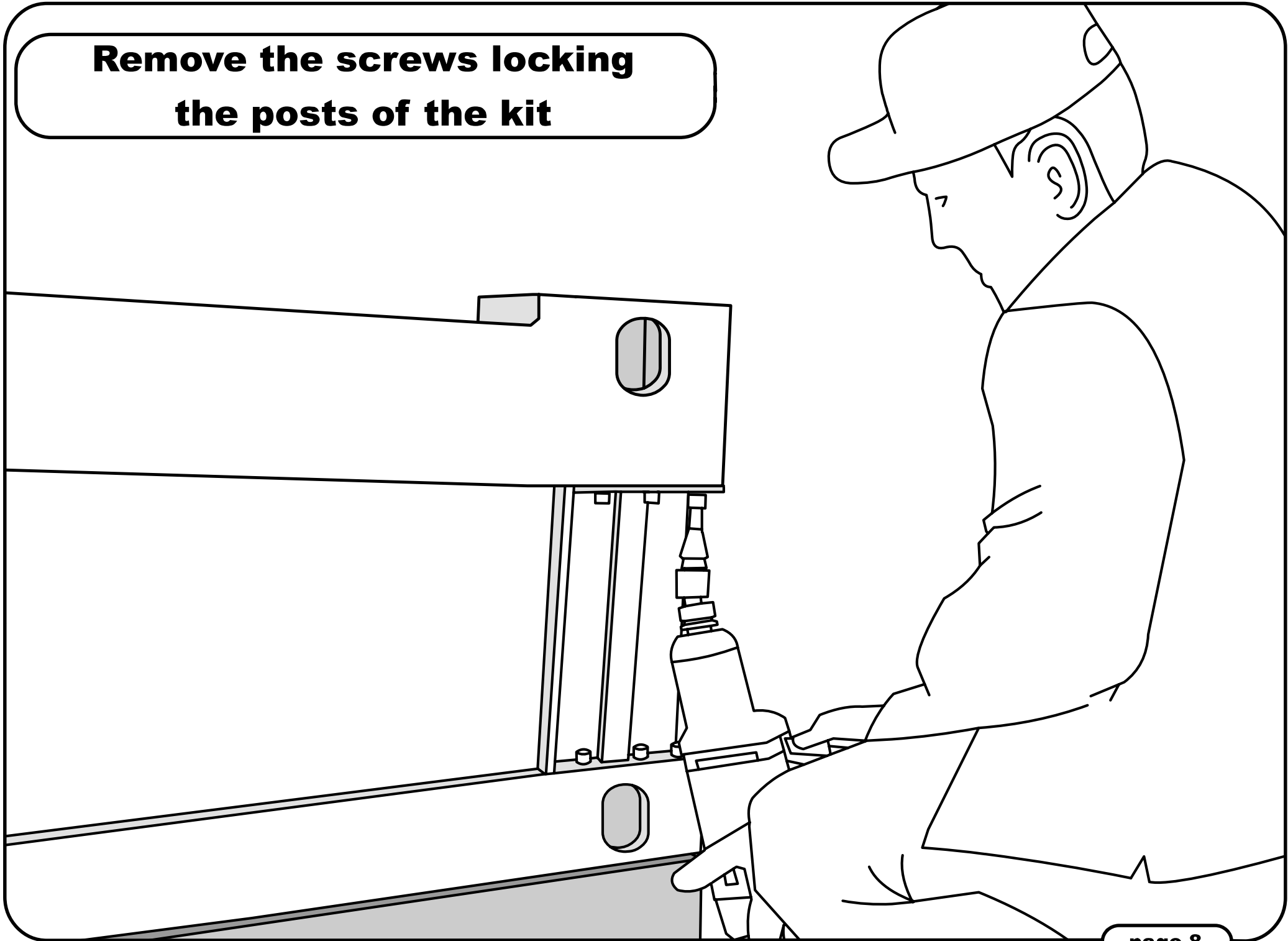
Position the kit in the assembly area



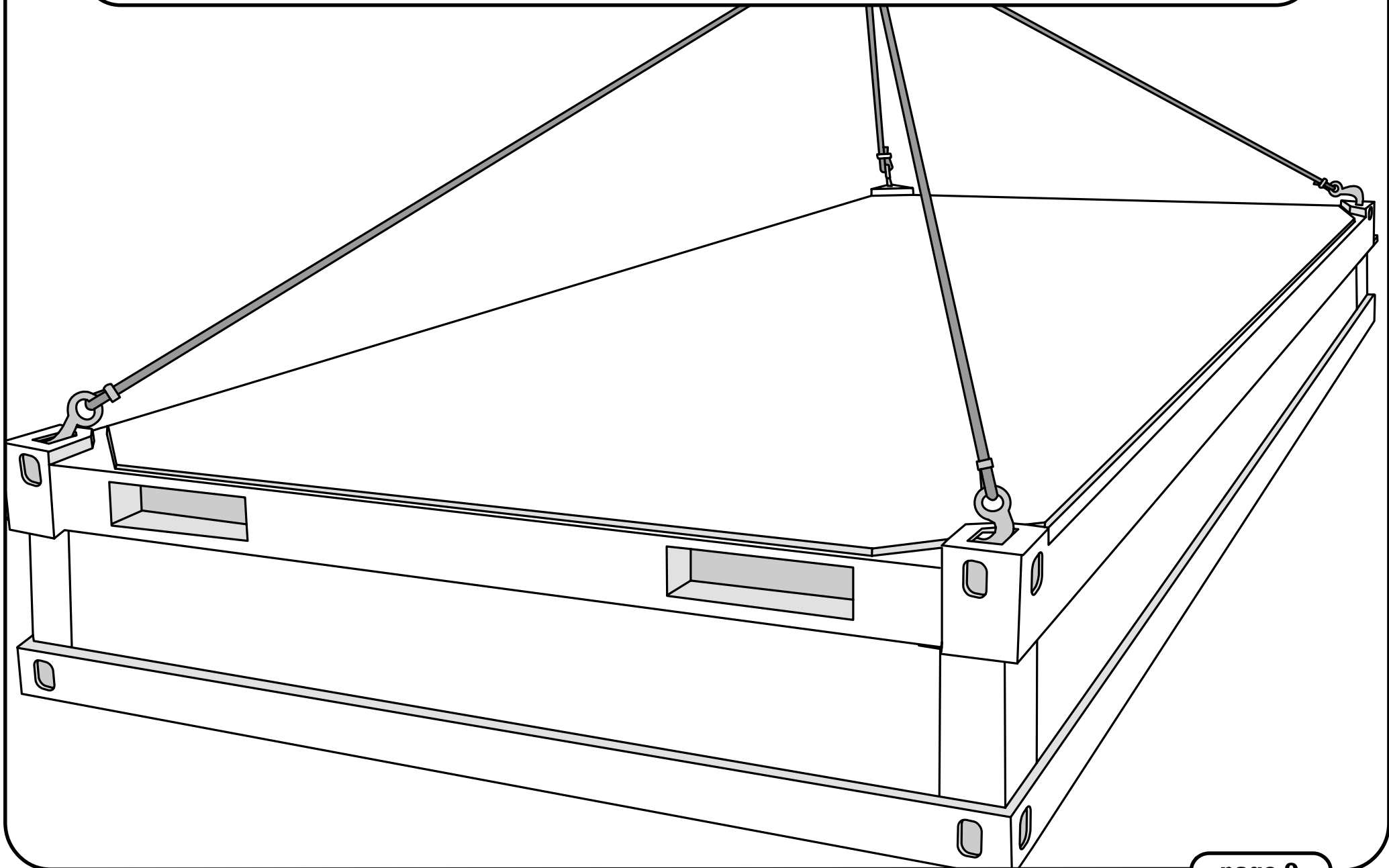
**Remove the rubber caps sealing the hole
of the roof drain pipes**



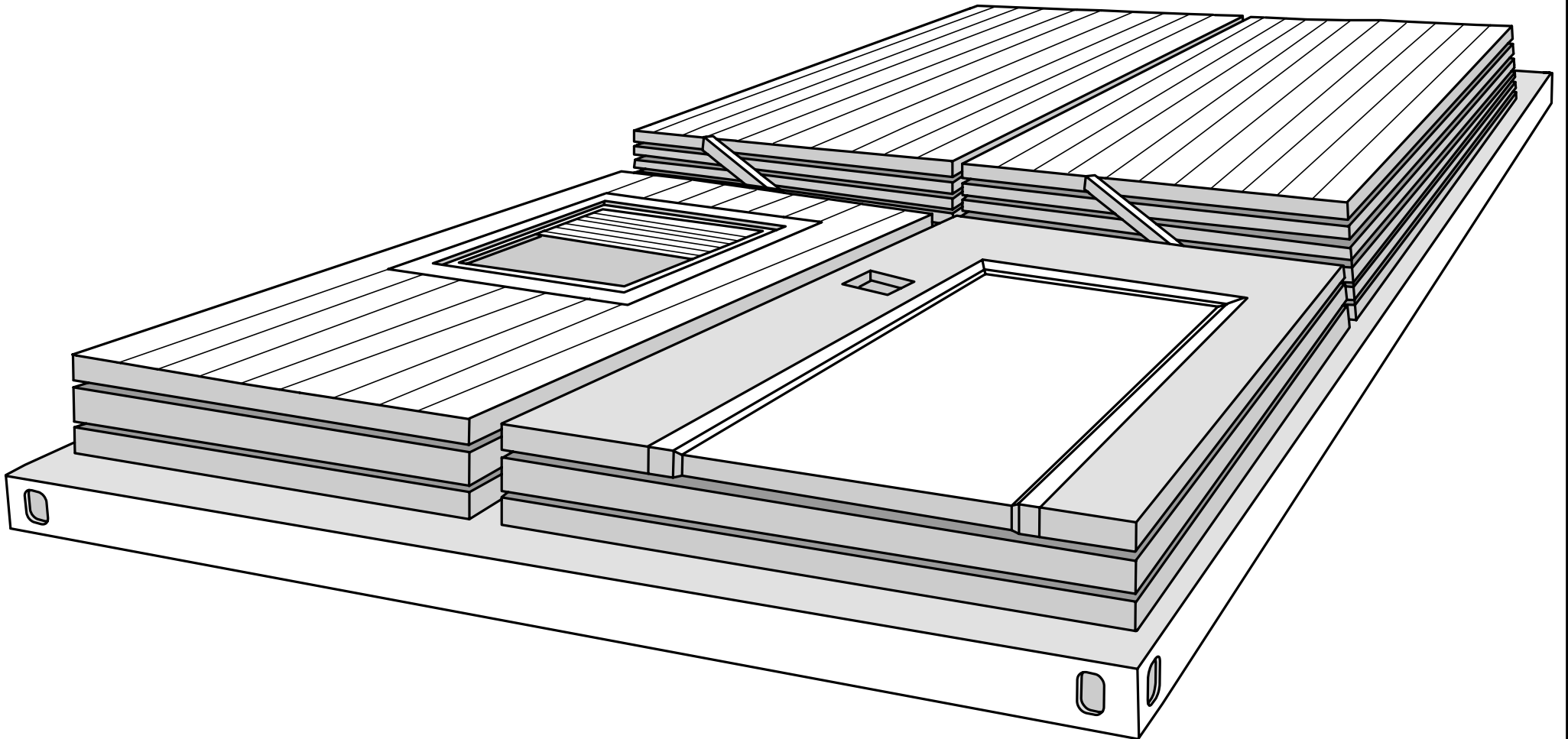
**Remove the screws locking
the posts of the kit**



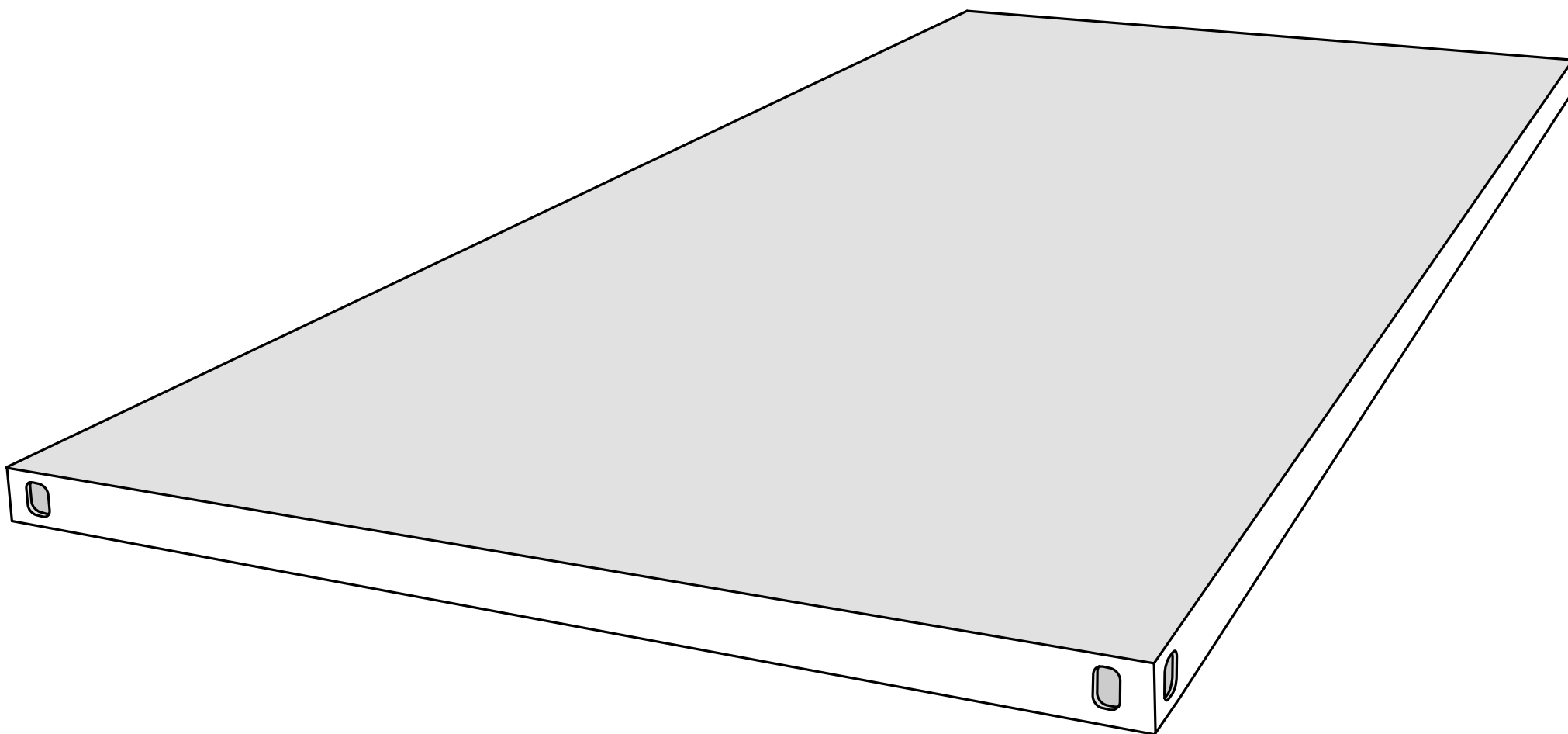
Lift the roof through the holes of the corner castings



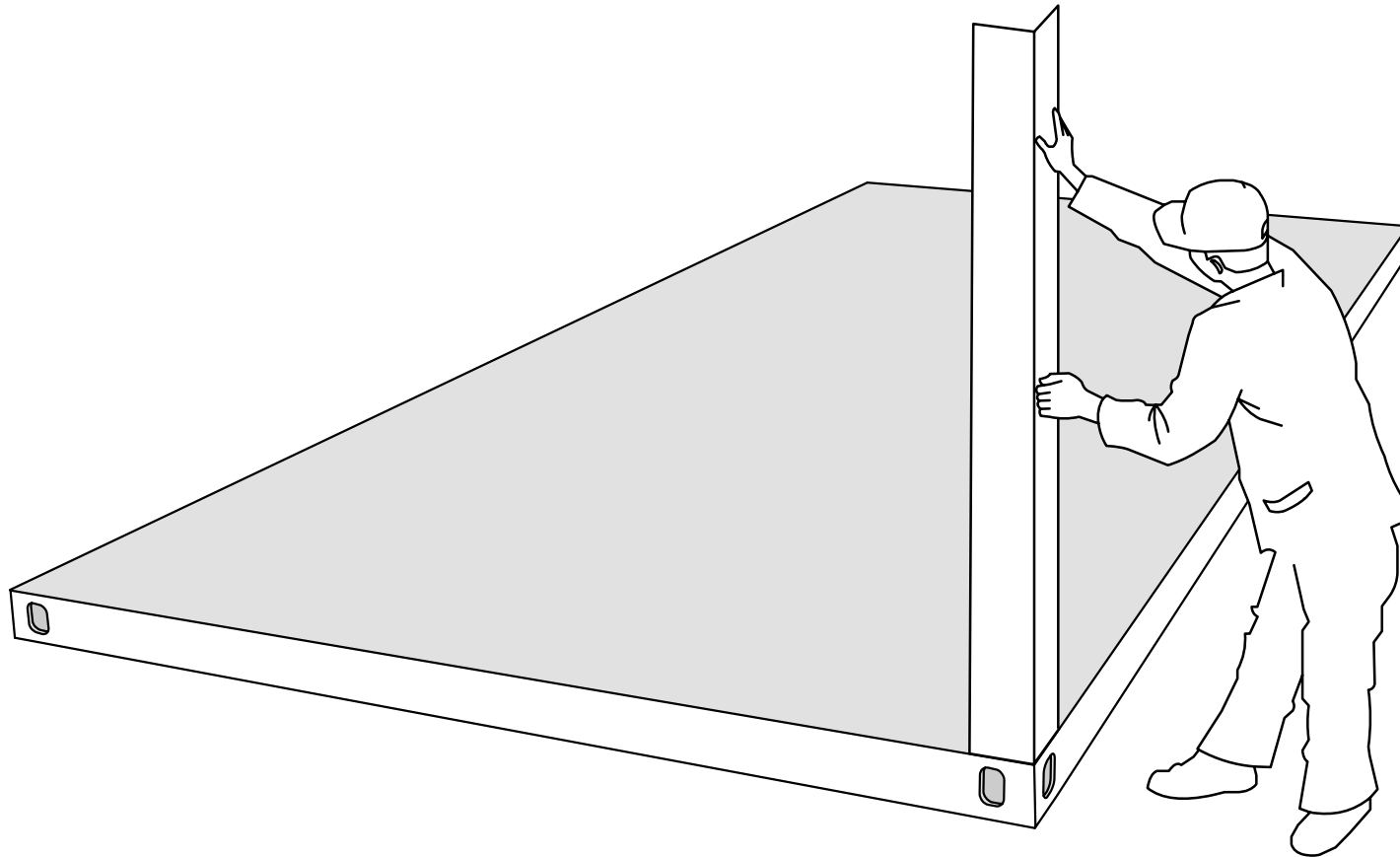
**The kit contains all necessary
components for a proper assembly**

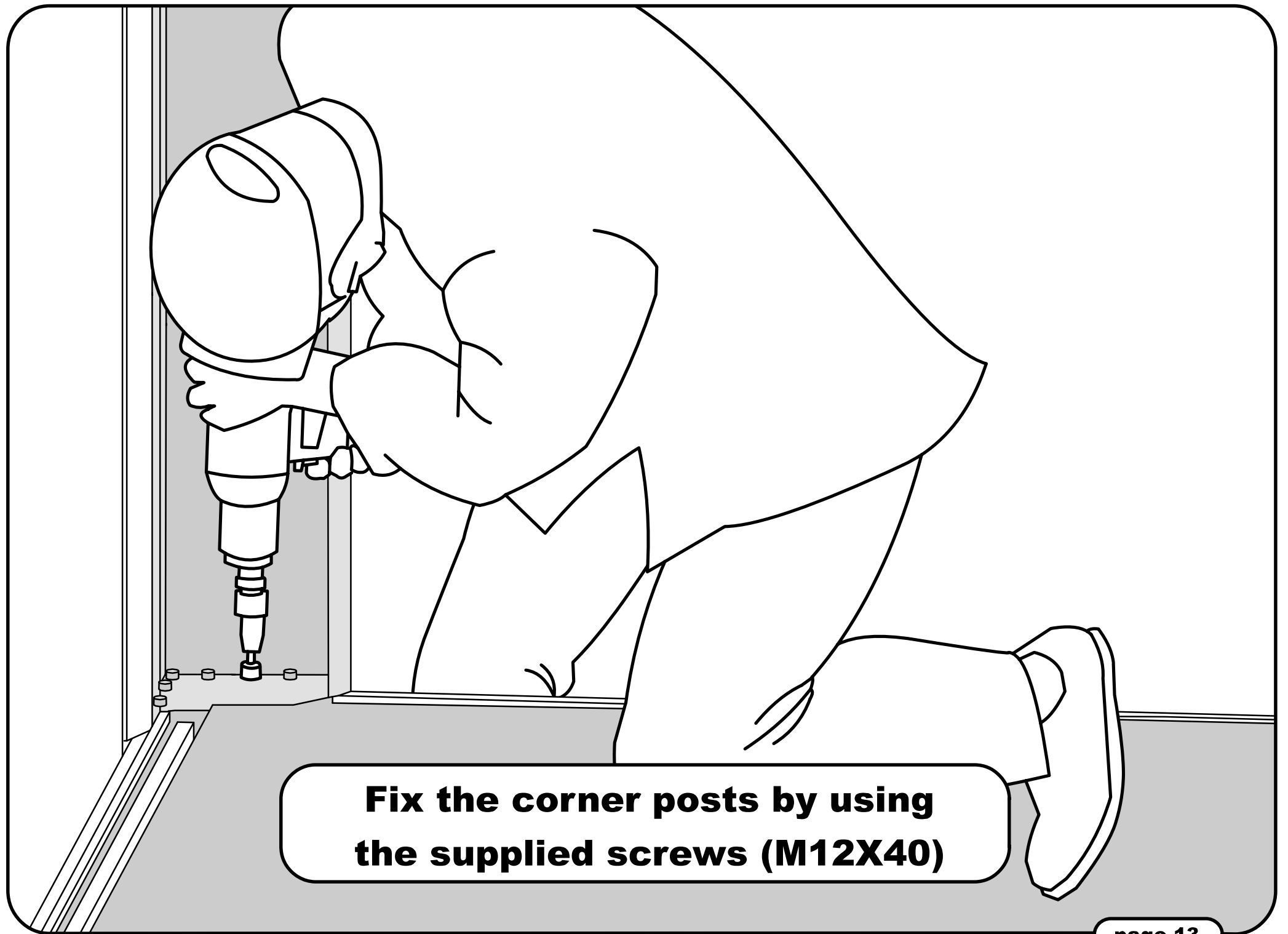


Remove all components from the base



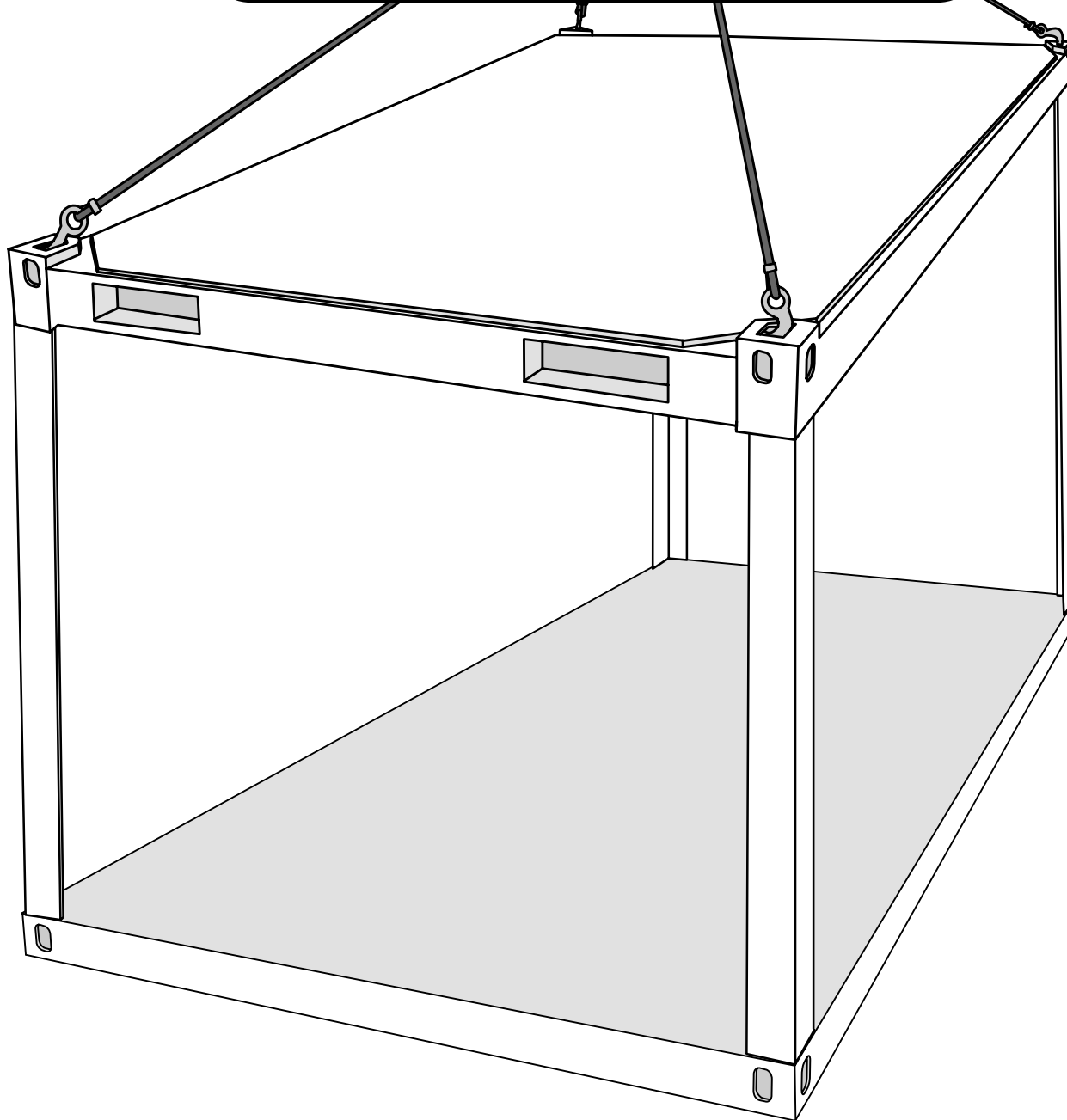
Position the corner posts

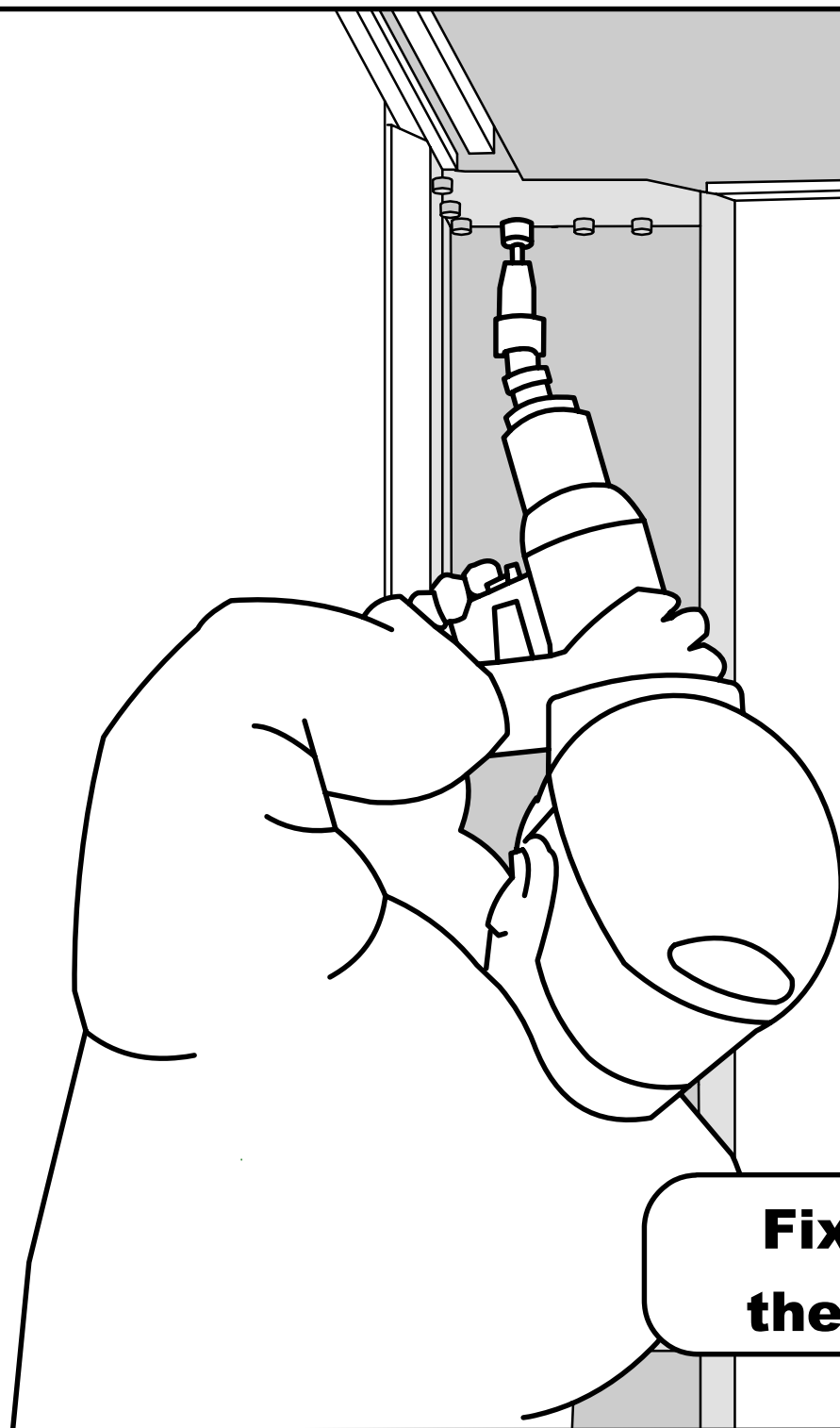




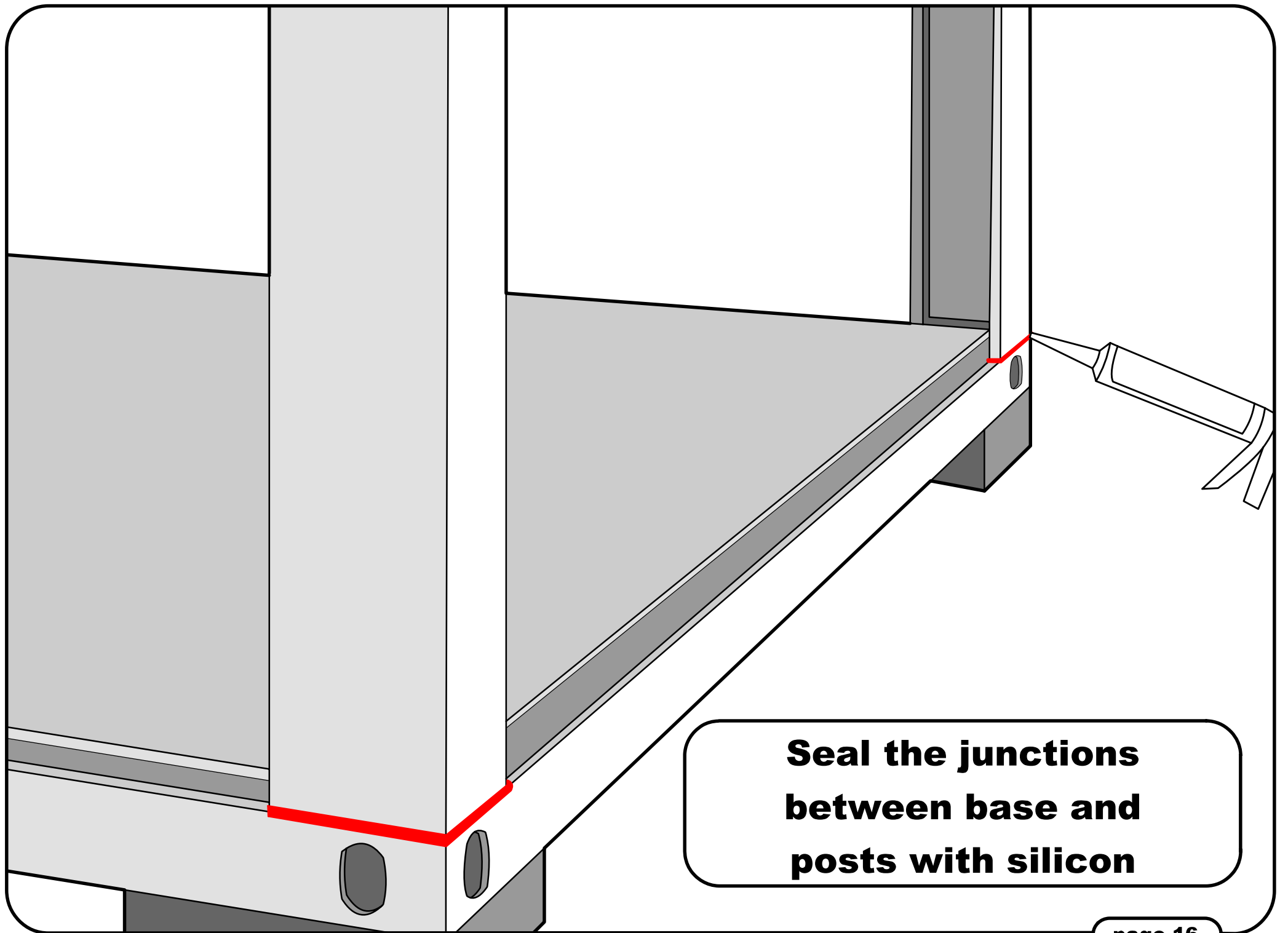
**Fix the corner posts by using
the supplied screws (M12X40)**

Position the roof



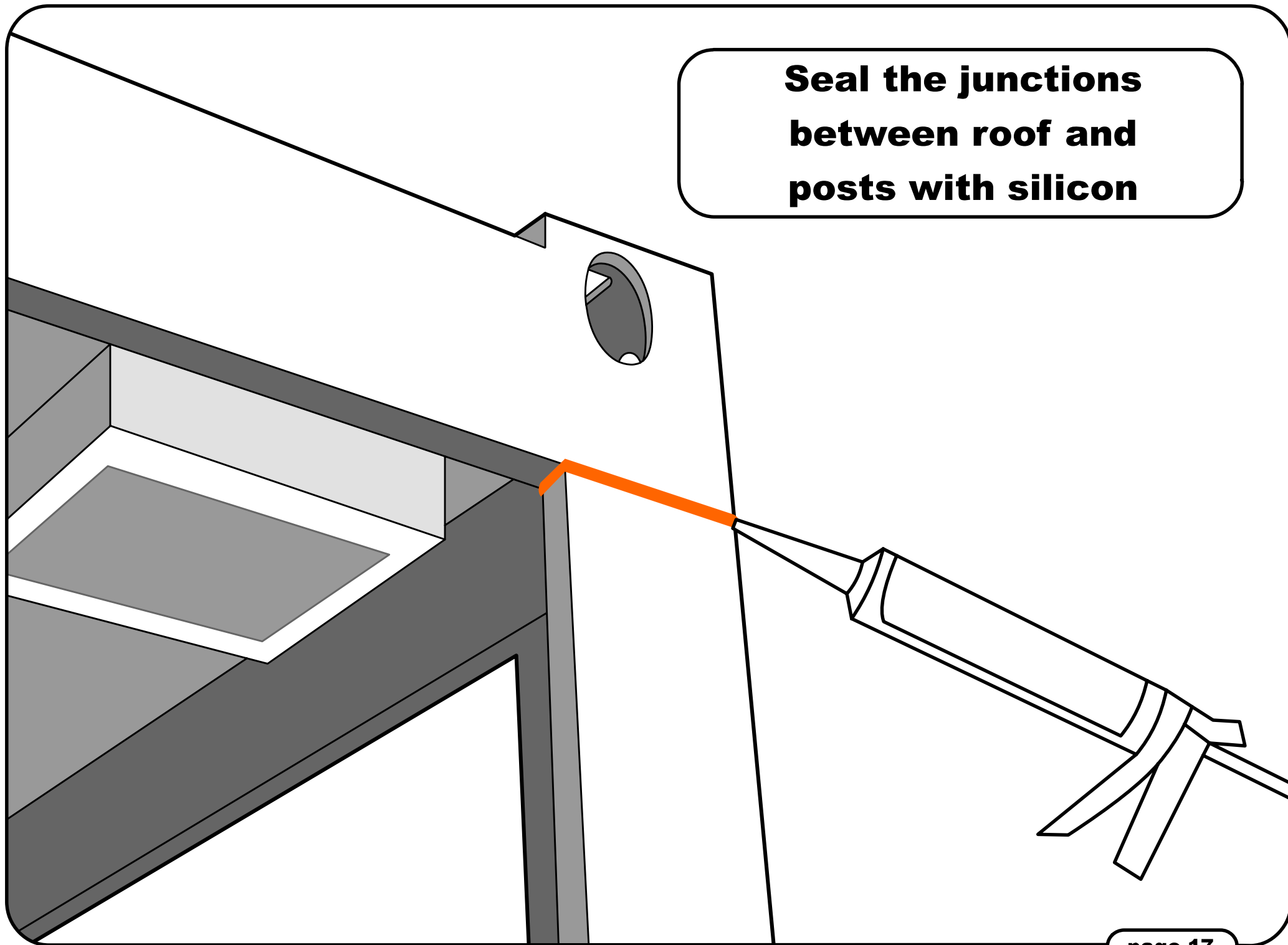


Fix the corner posts by using the supplied screws (M12X40)

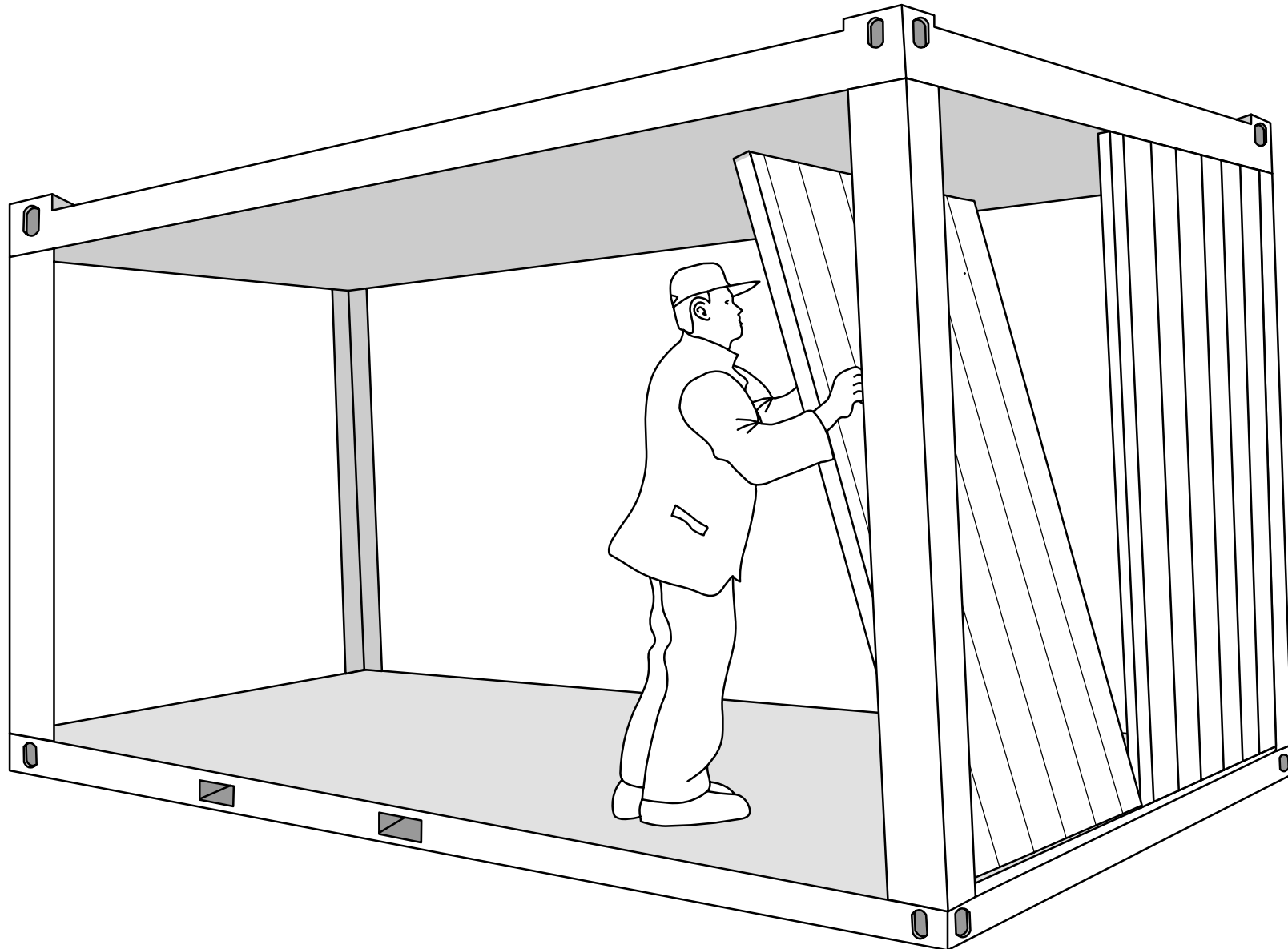


**Seal the junctions
between base and
posts with silicon**

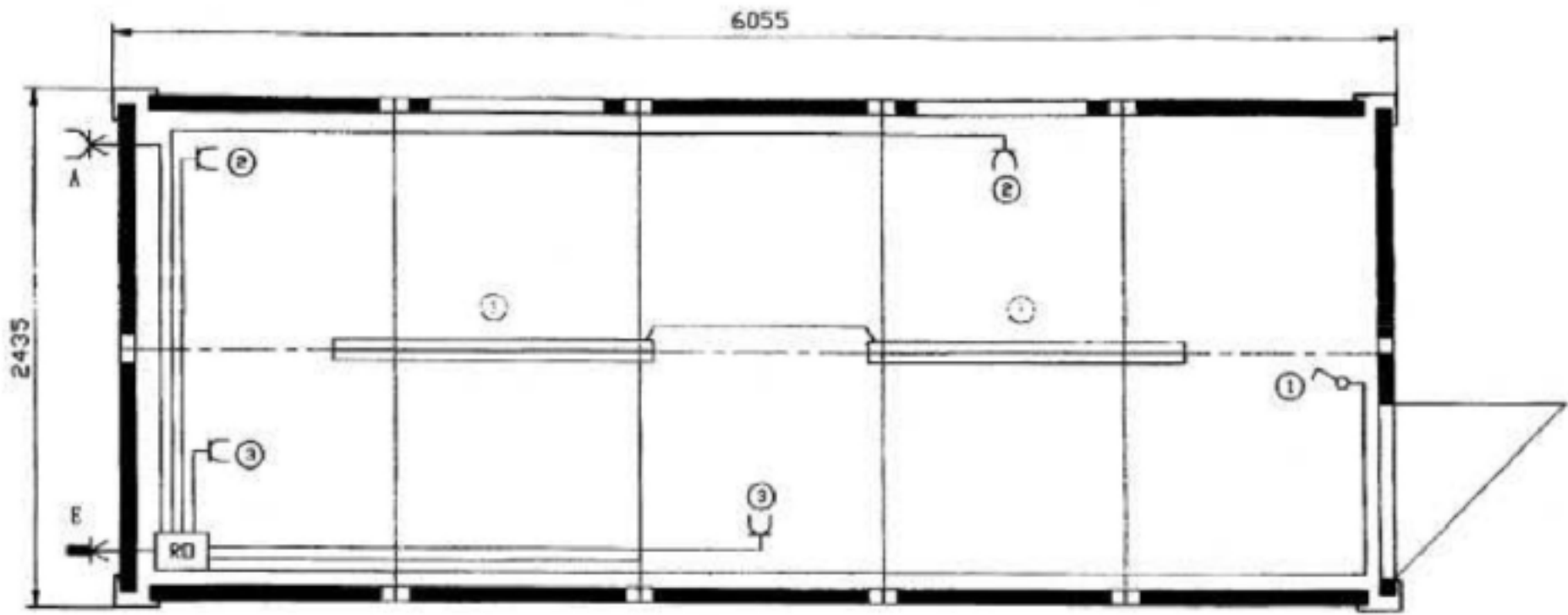
**Seal the junctions
between roof and
posts with silicon**



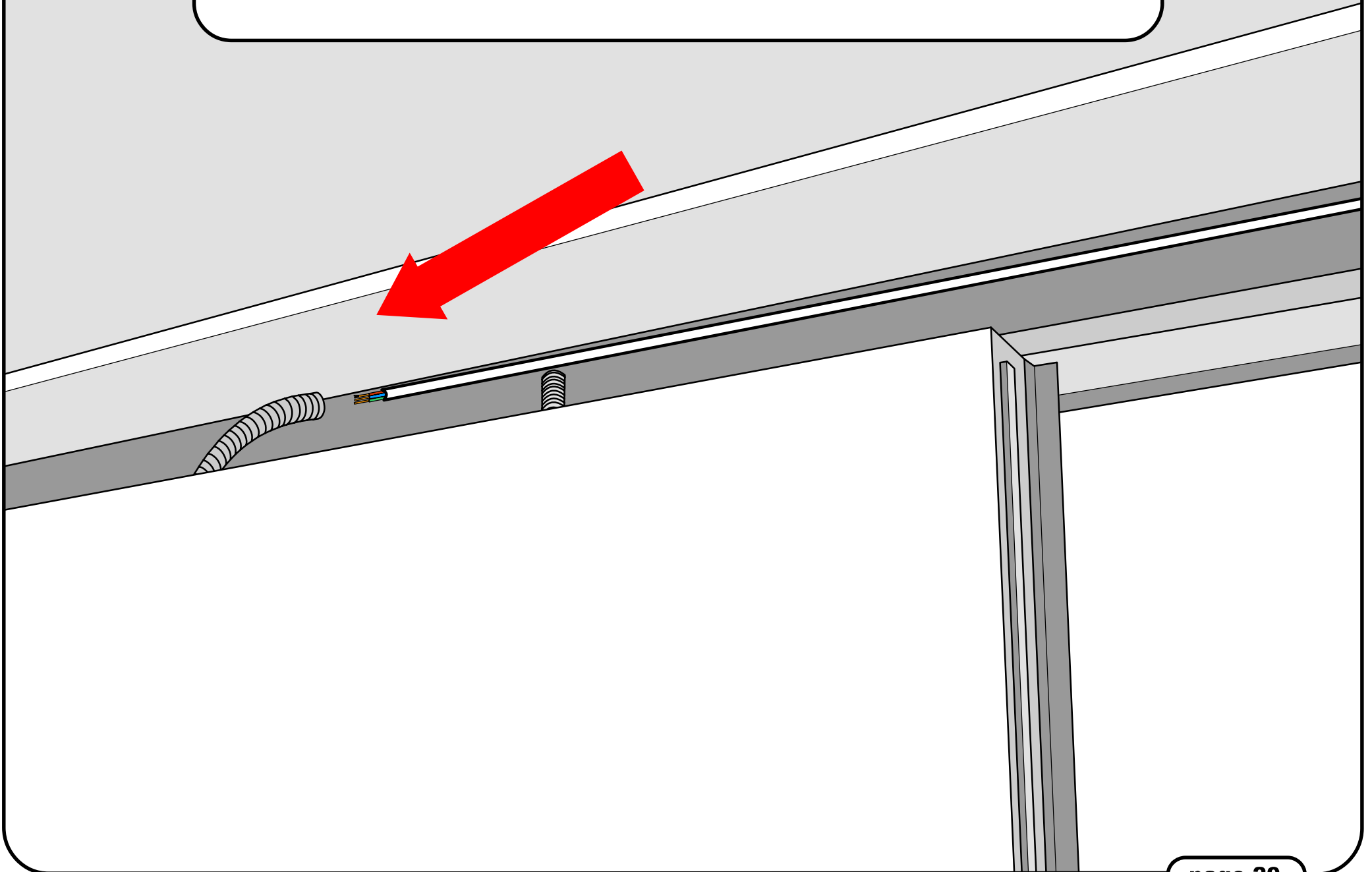
**Place panels according to the standard layout
(drawing supplied) or according to your own requirement**



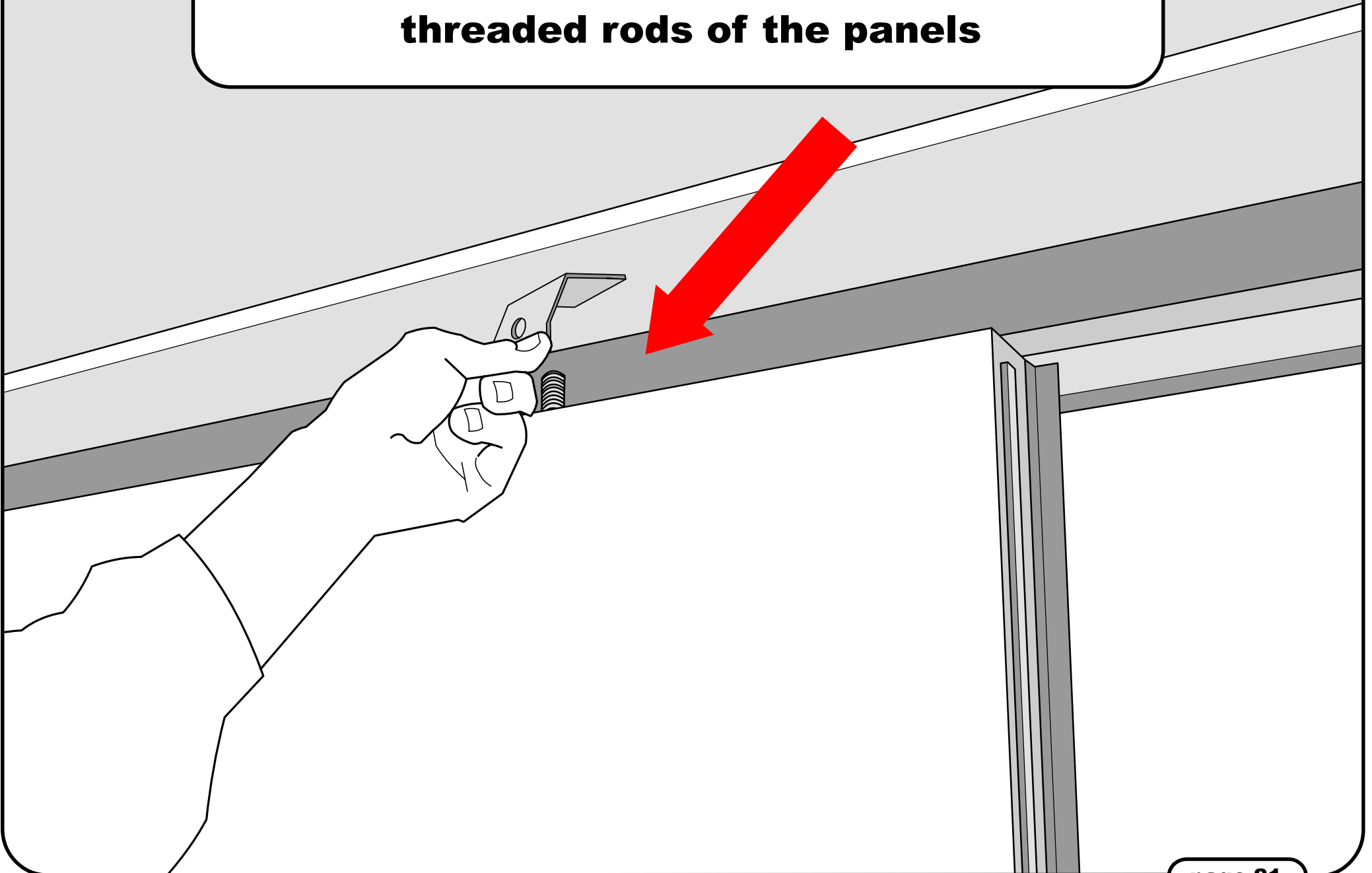
Standard layout



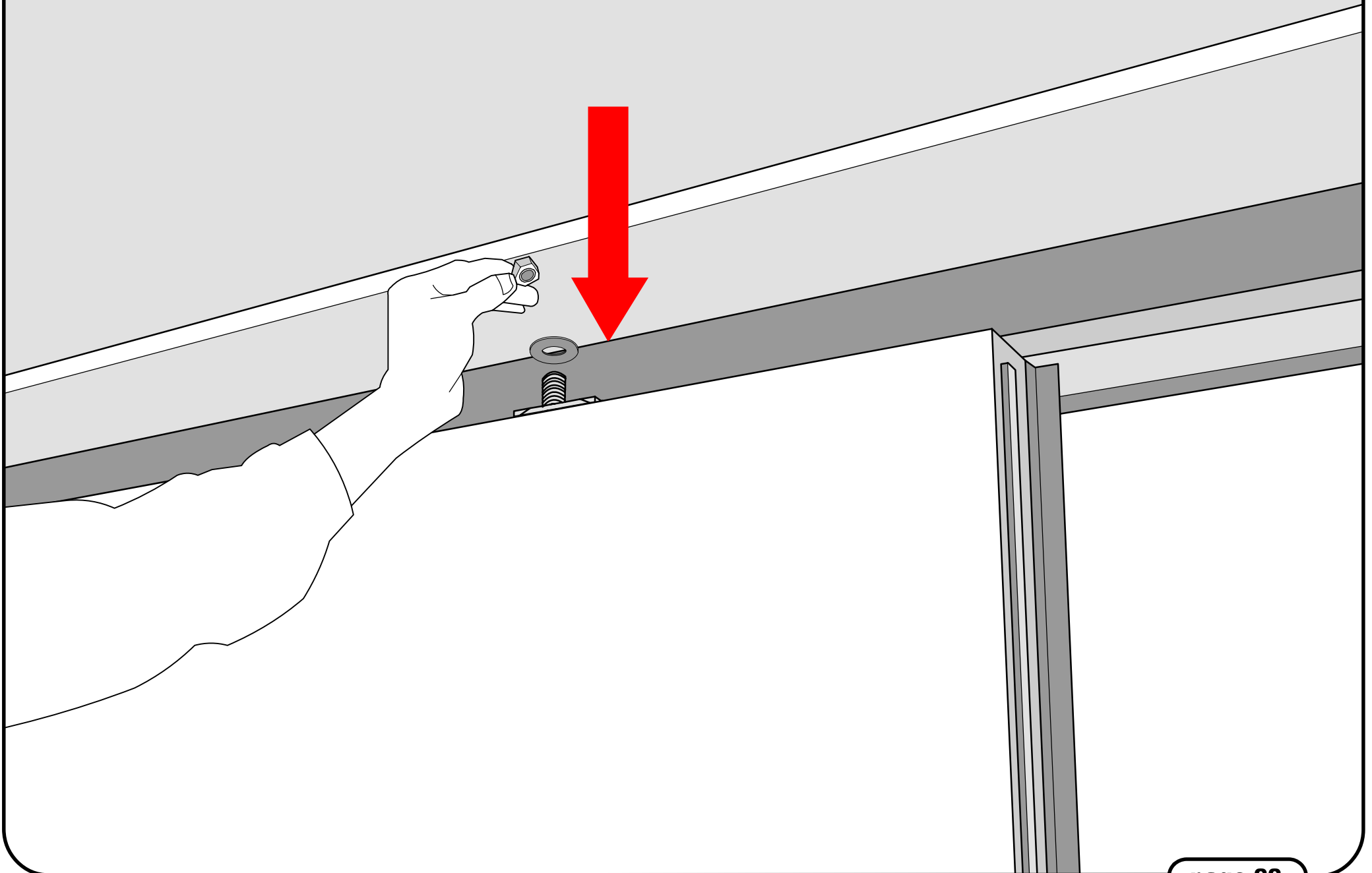
Insert electric cables into the conduits



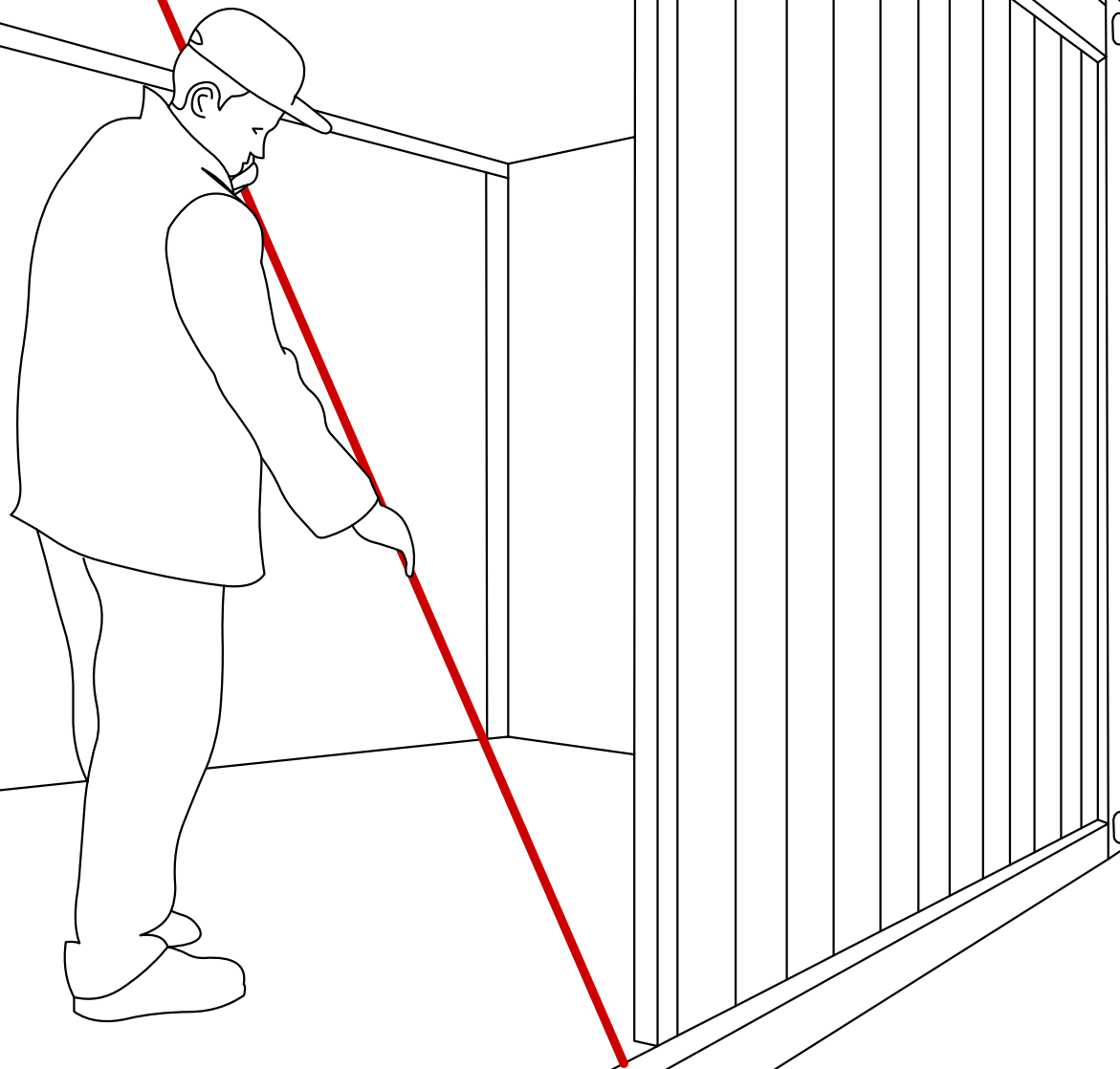
**Insert locking plates into the
threaded rods of the panels**



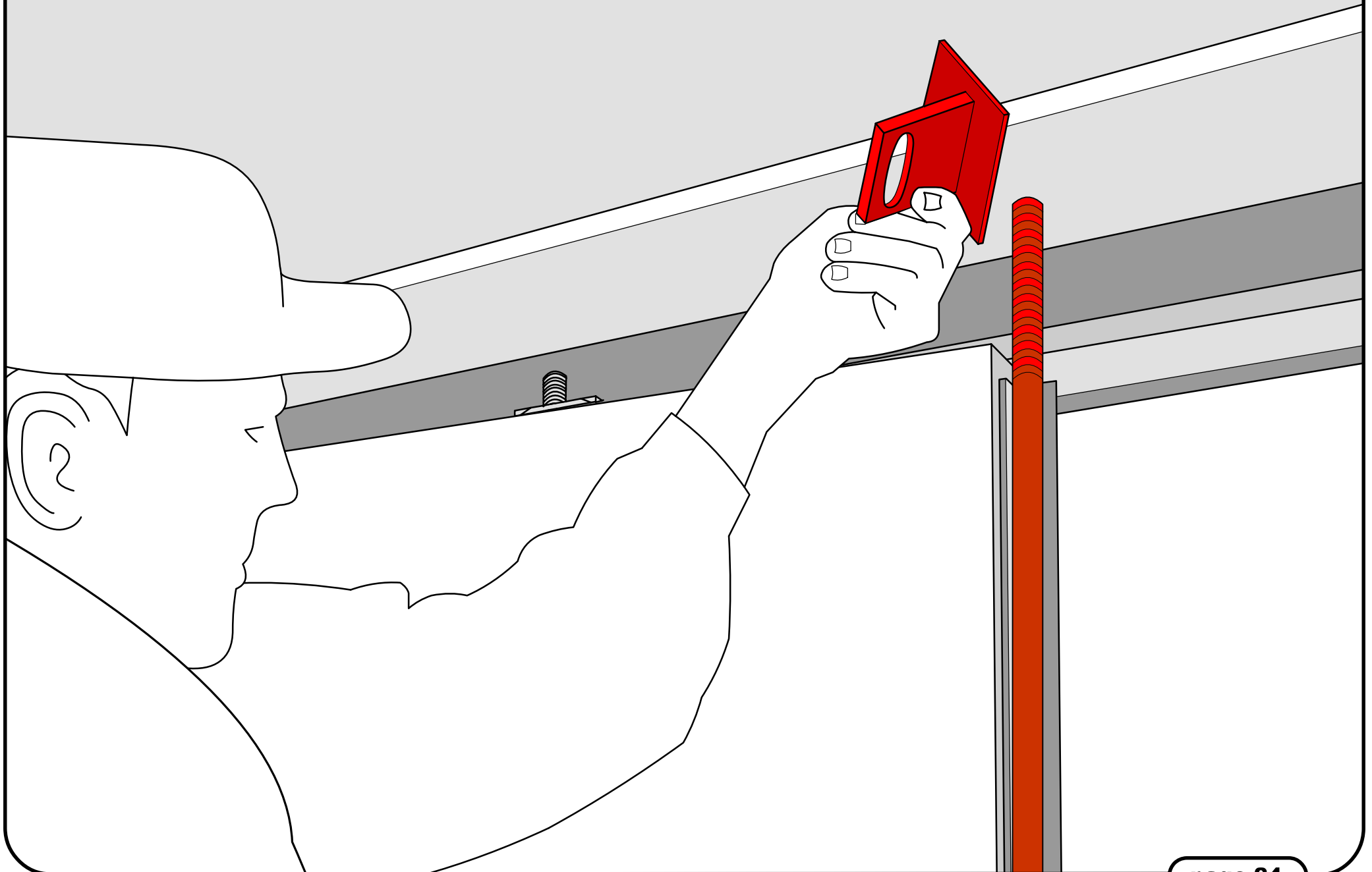
Tighten bolts and washers (M8)



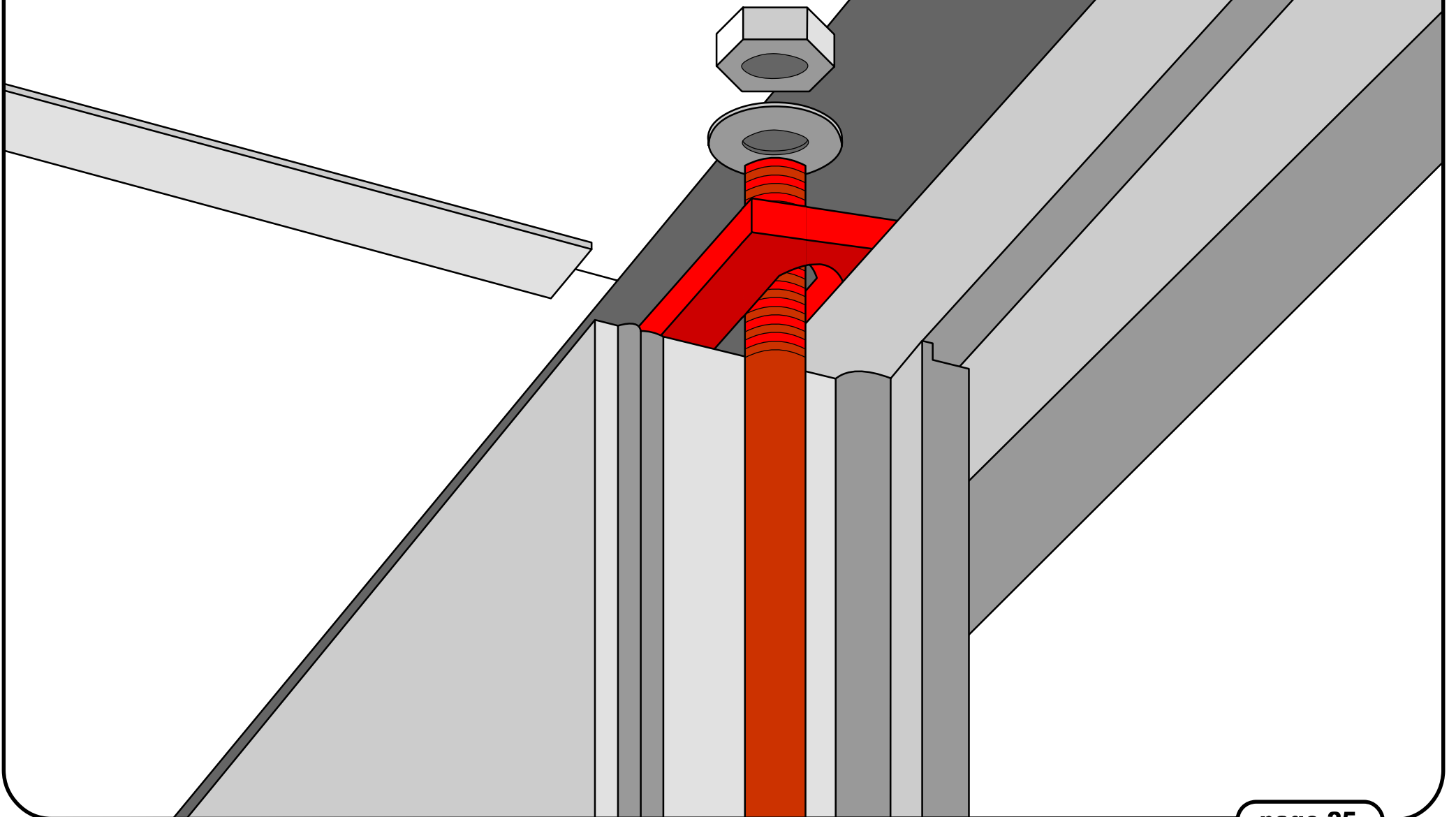
**Insert threaded iron rods (M10)
in the appropriate slots**



Insert locking plates



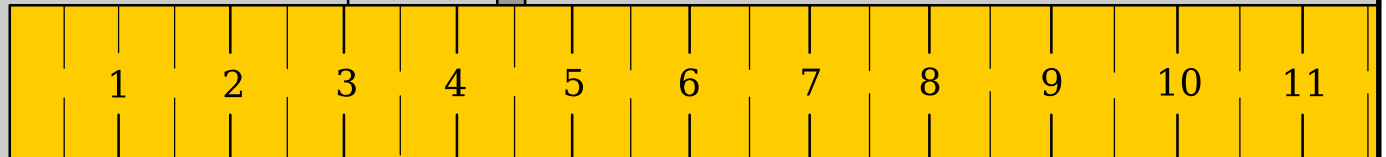
Tighten bolts and washers (M10)



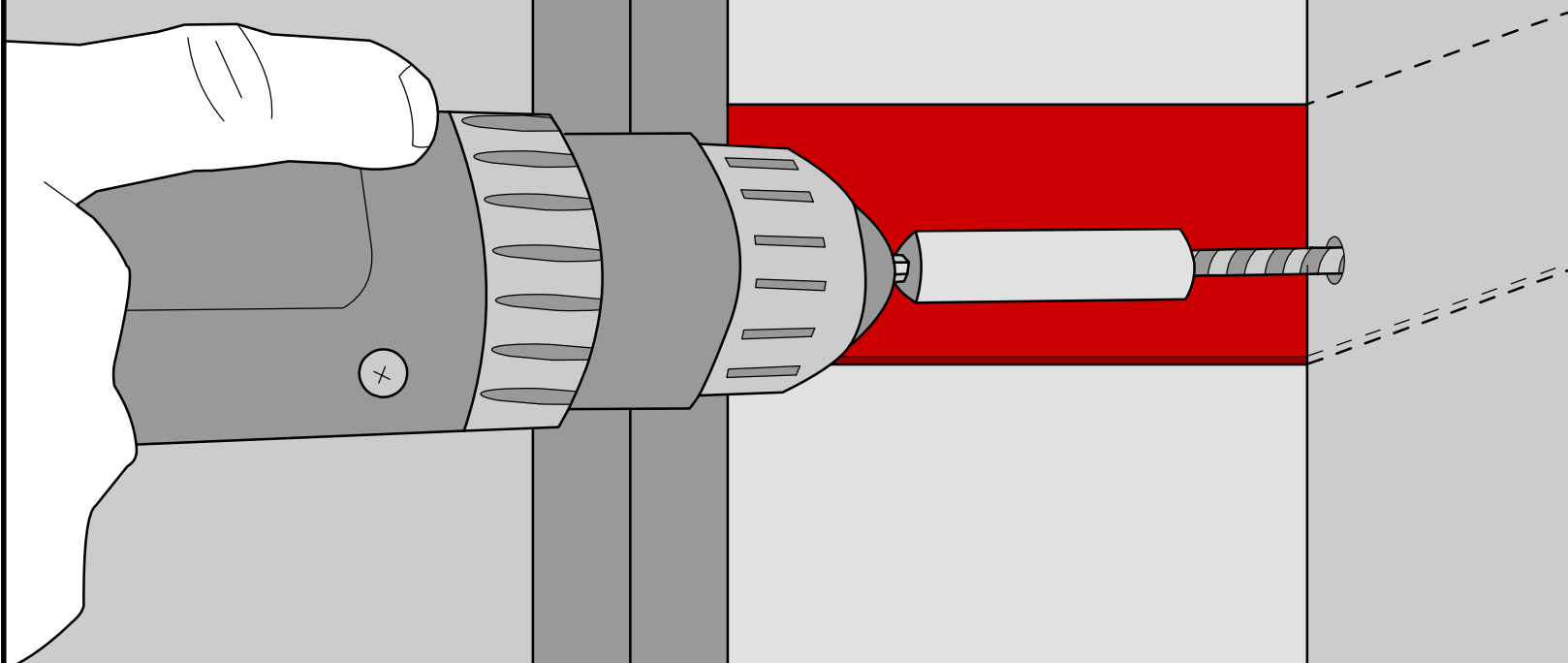
Place panels next to corner posts at a distance of about 4 cm

**Inner side
corner post**

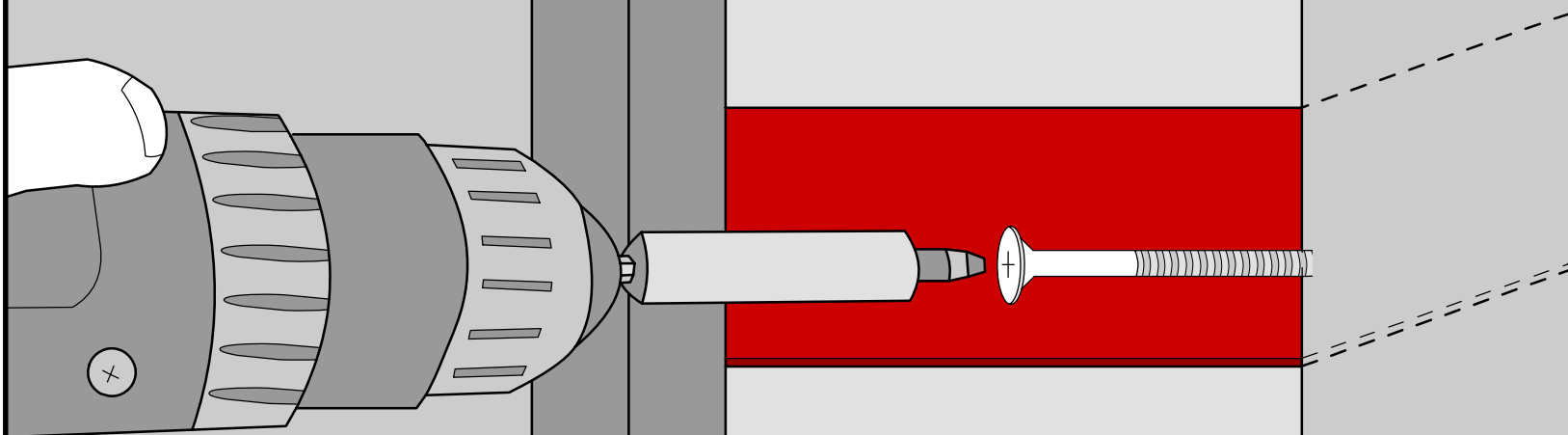
Panel



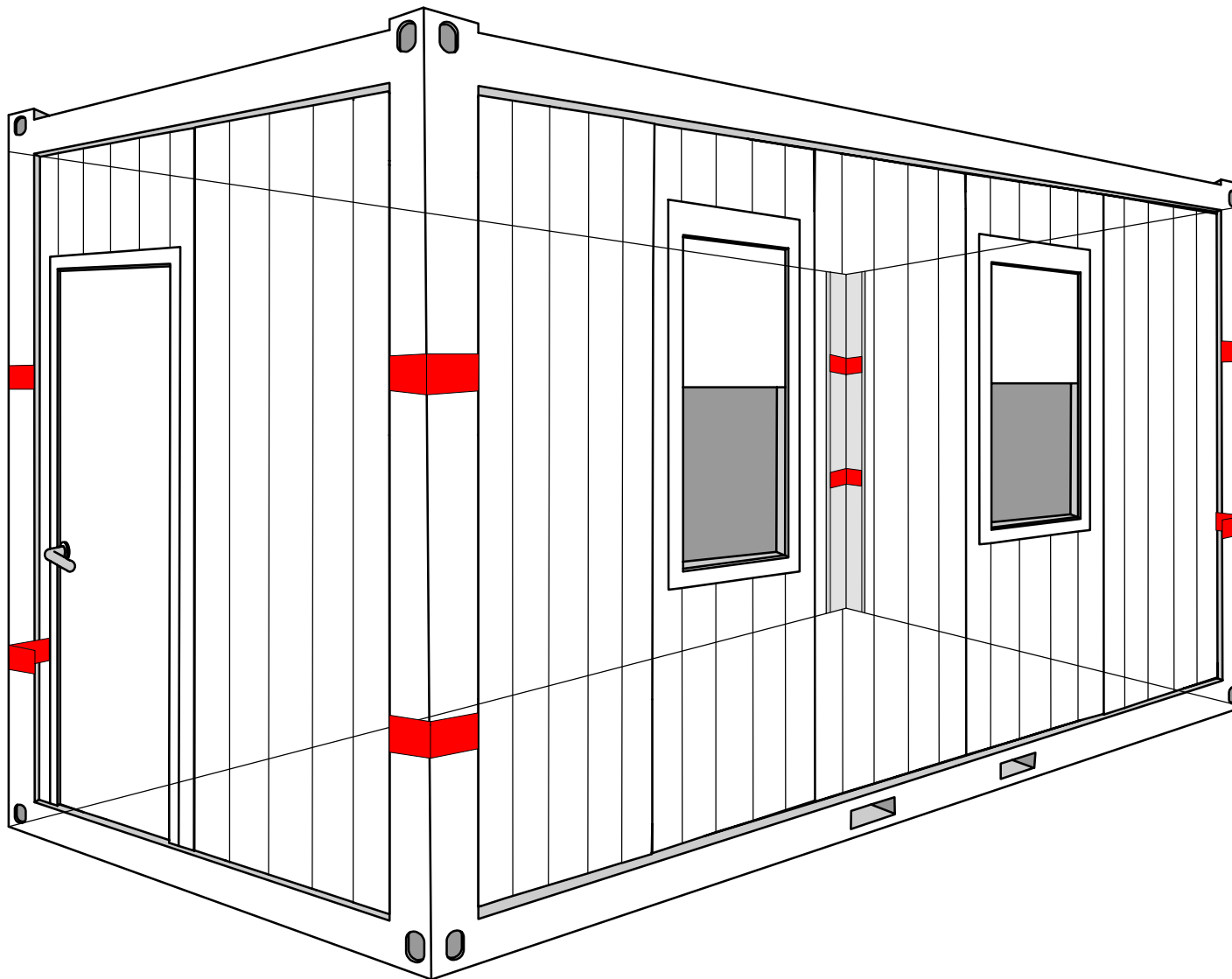
**Drill a 5 cm hole in the corner posts
internal reinforcements.
Drill the iron reinforcements too**

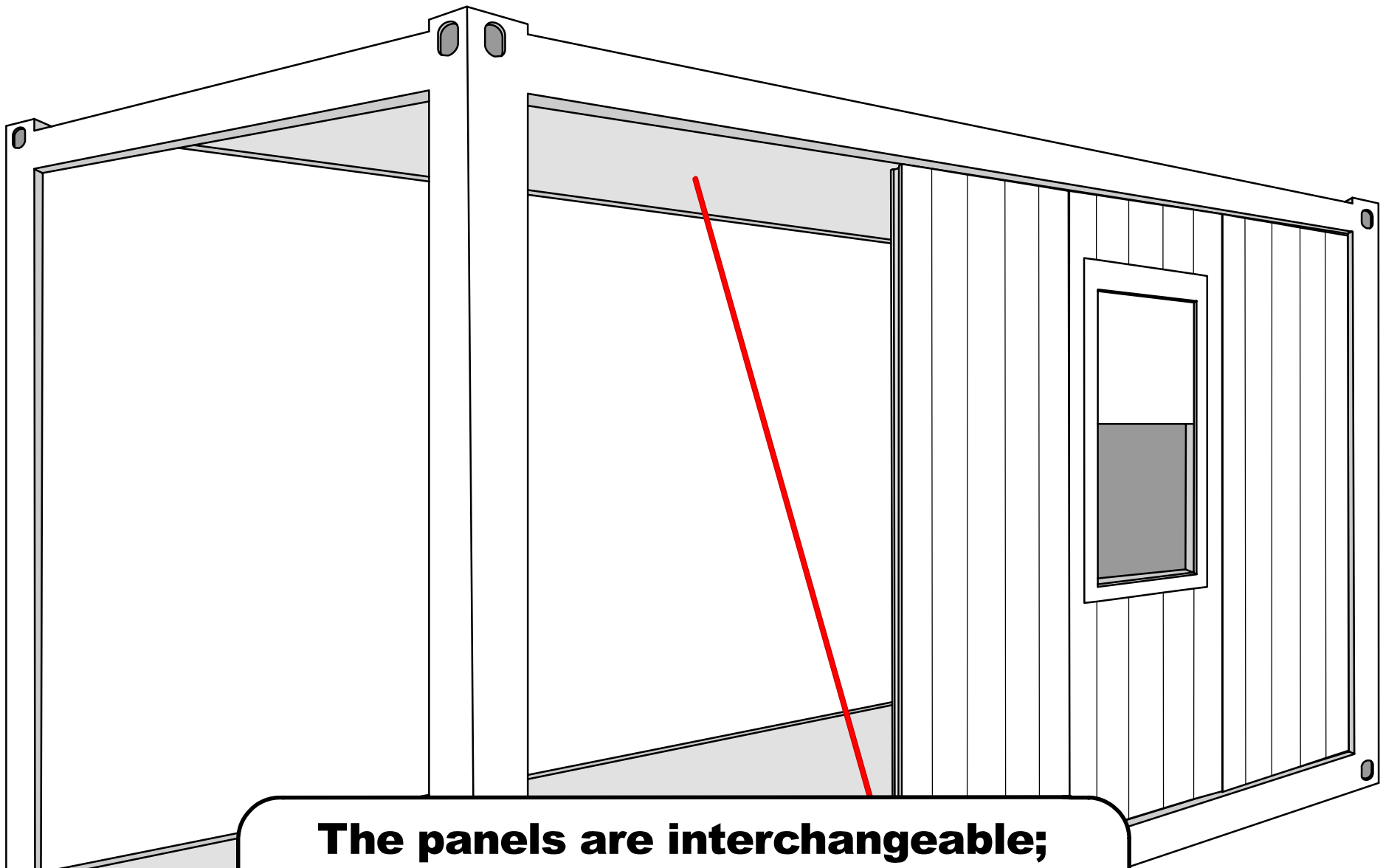


Screw in the 90 mm long screws until fully tight



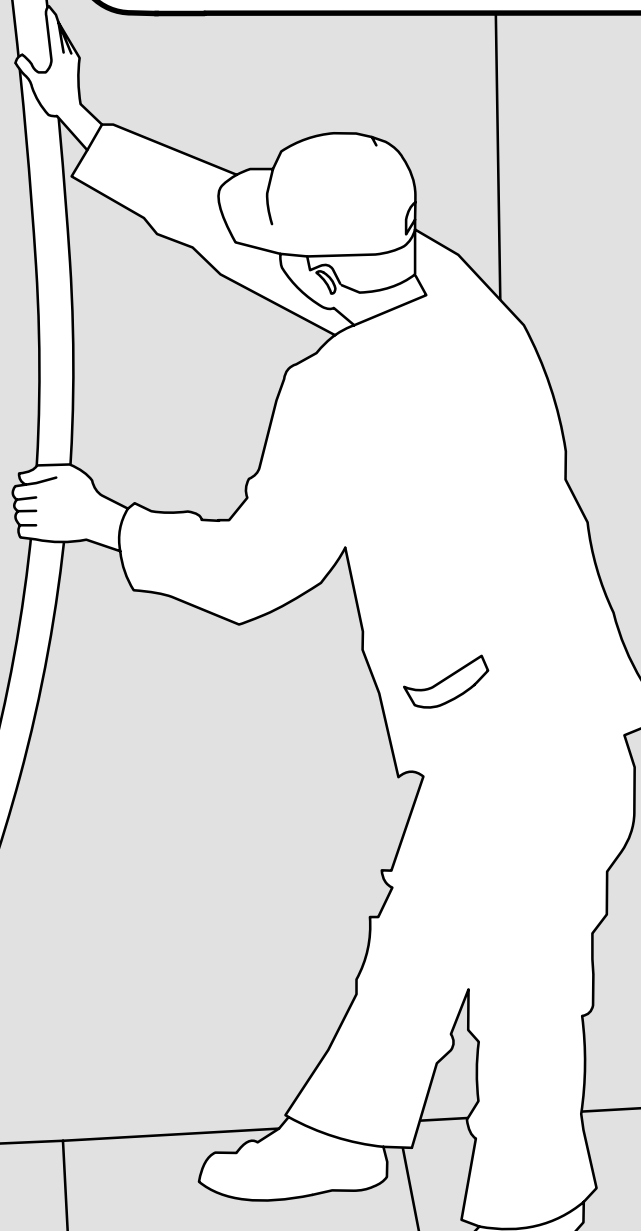
Detail of the position of corner posts reinforcements



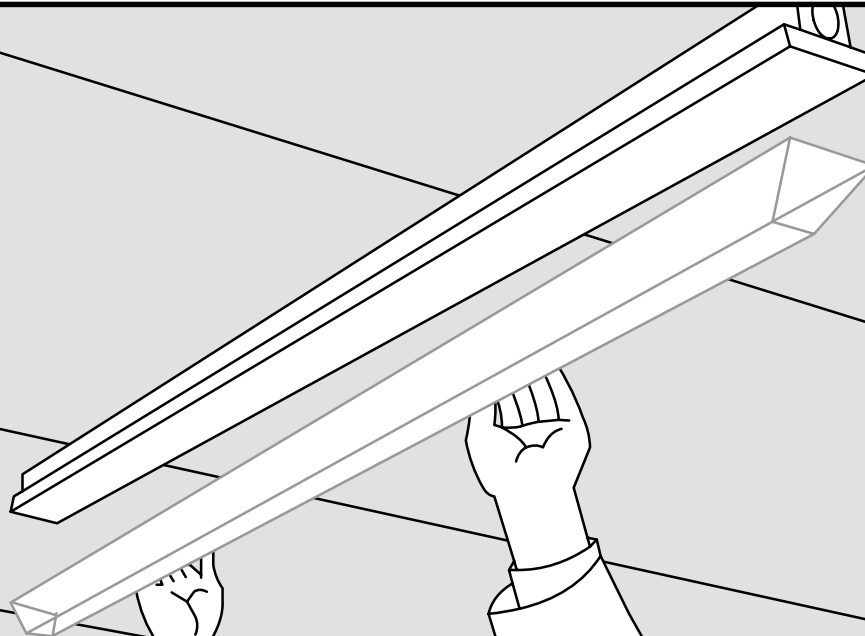


**The panels are interchangeable;
however, this will alter the position of
sockets and light switch as well as
required length of electric cables**

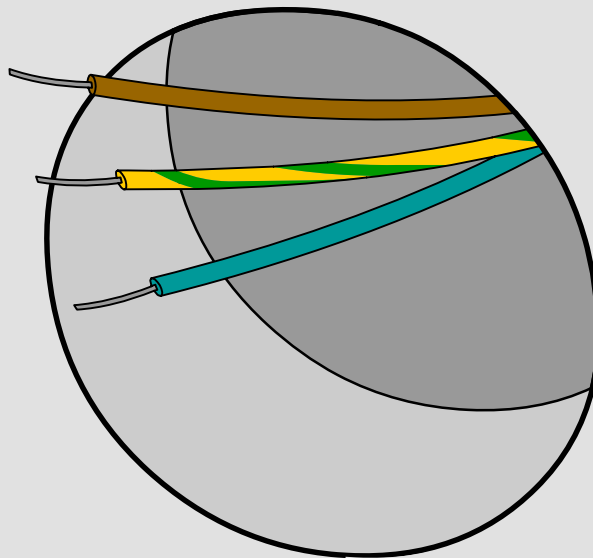
**Fit the PVC pipes that serve
as drain pipes**



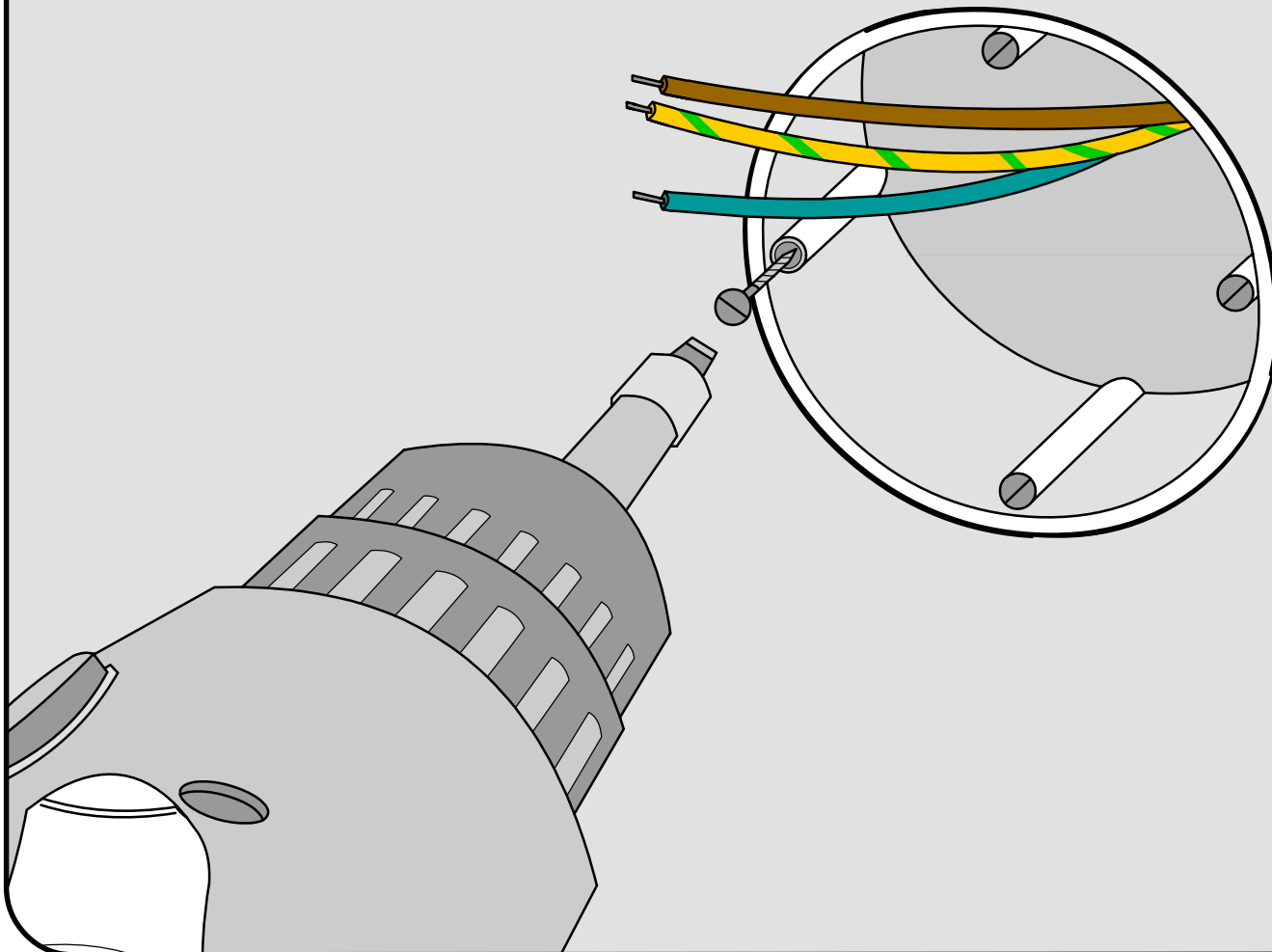
Affix the neon lights to the ceiling



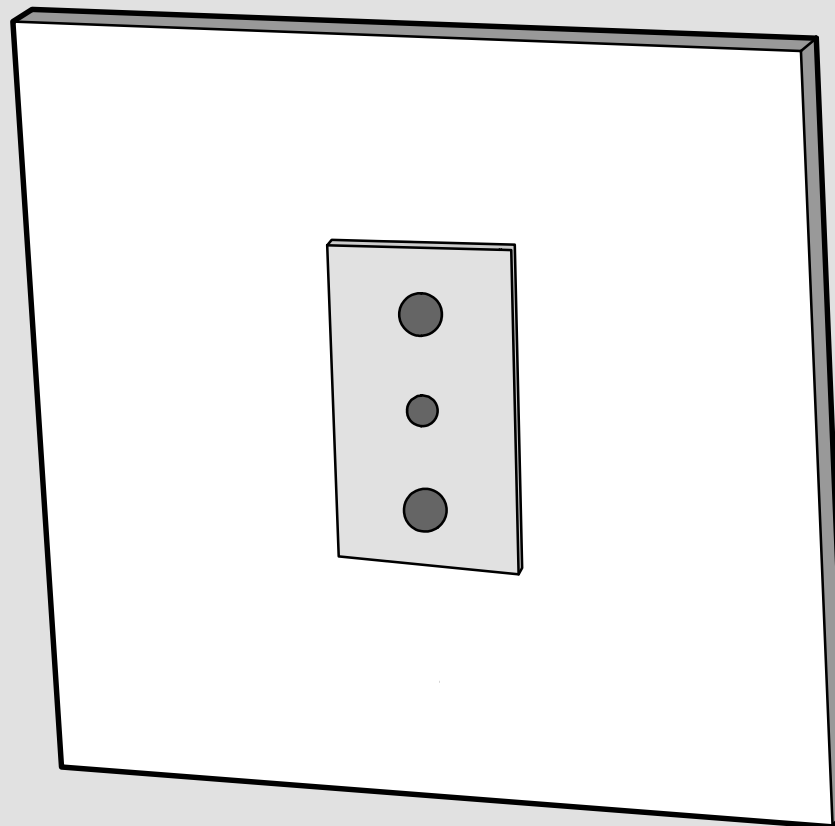
Cut and prepare the cables for sockets installation

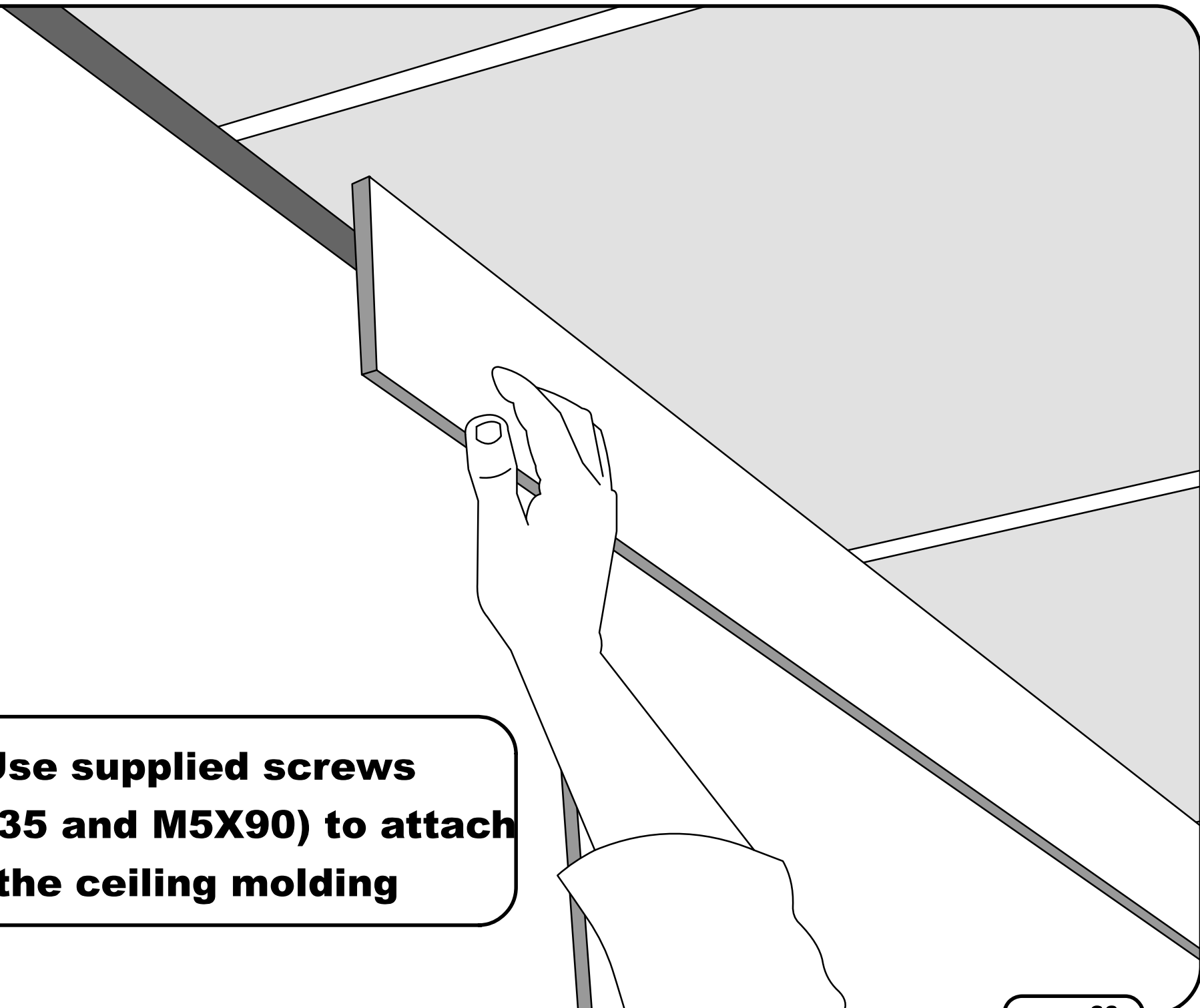


Position and fix the socket boxes



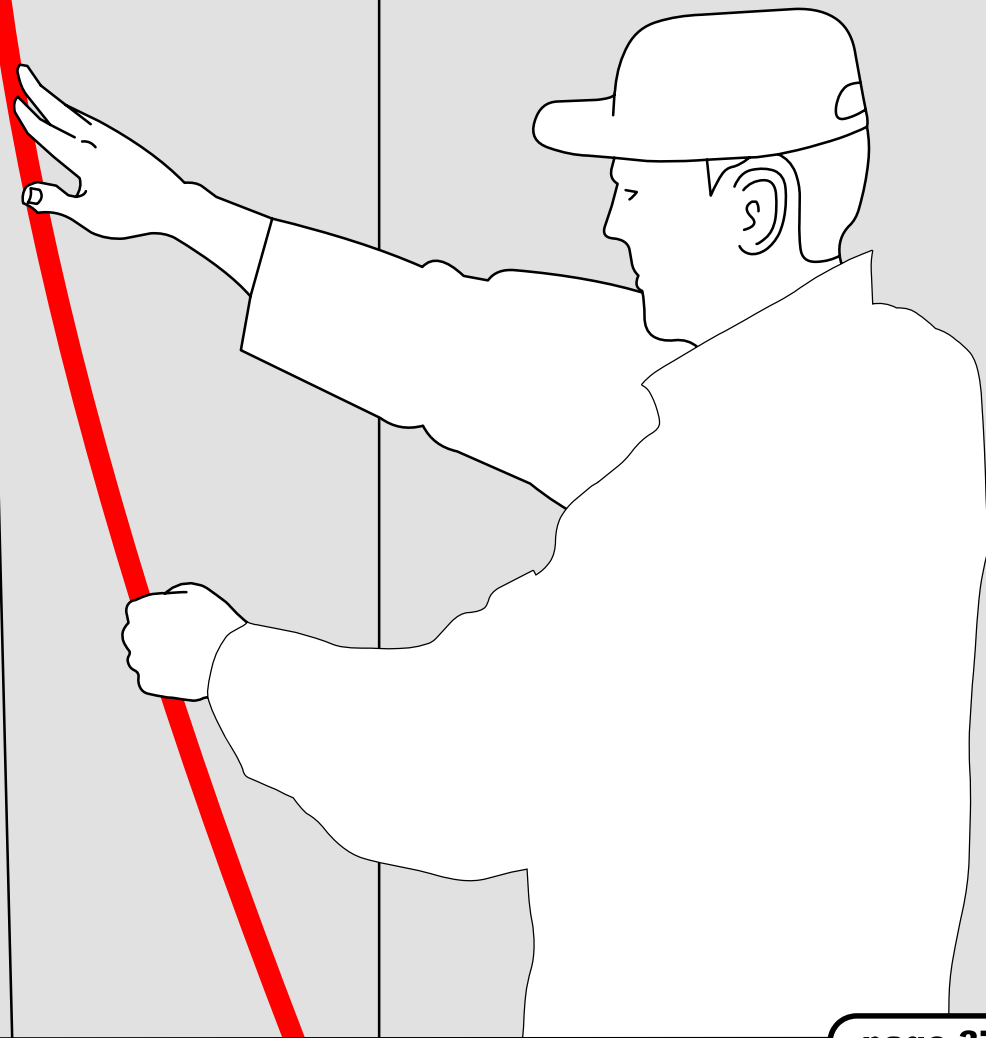
Insert and fix sockets into the boxes



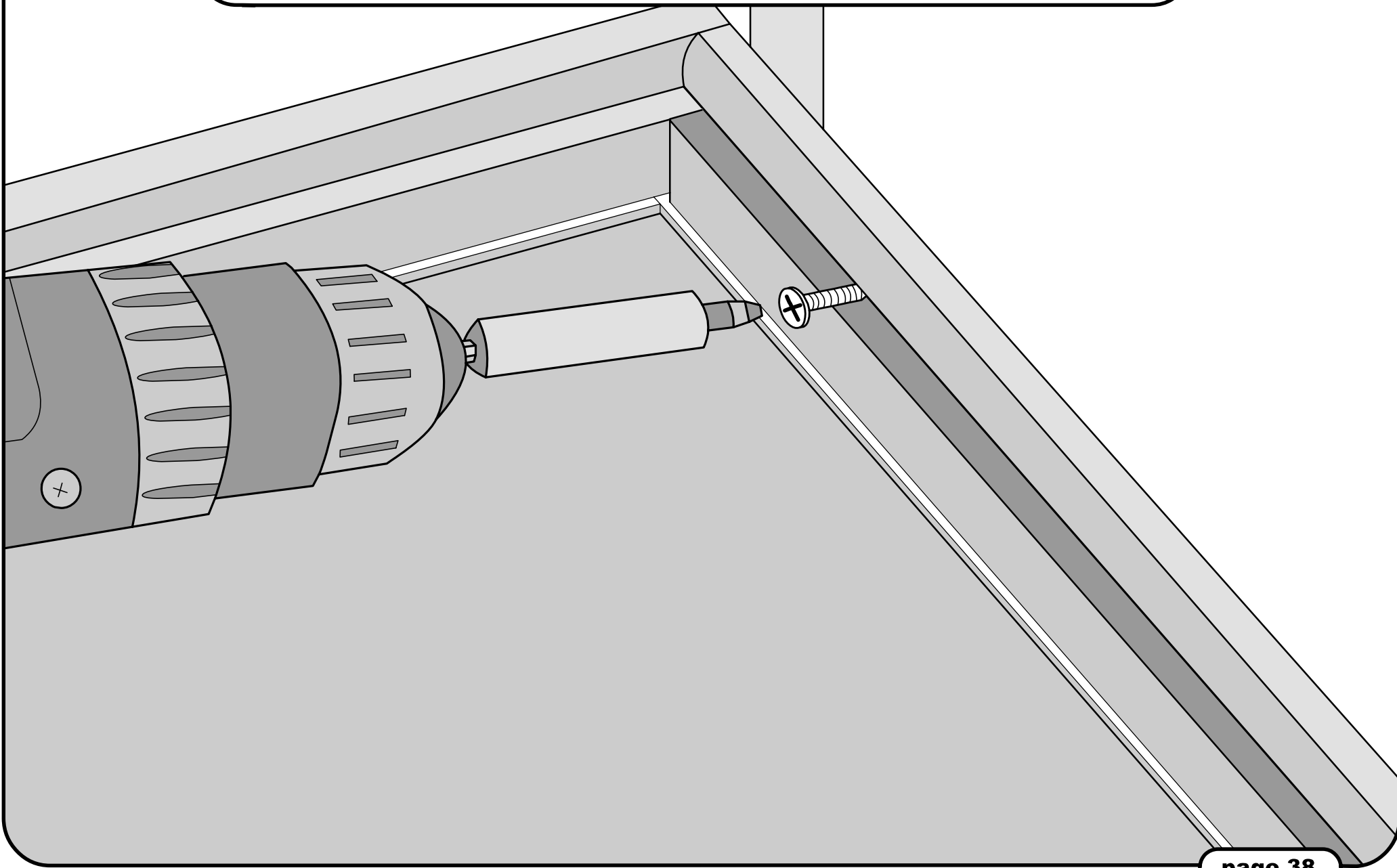
A line drawing illustration showing a hand holding a rectangular ceiling molding against a diagonal beam. The molding is being positioned to be attached to the beam. The background is a light gray wall with a white horizontal line.

**Use supplied screws
(M5X35 and M5X90) to attach
the ceiling molding**

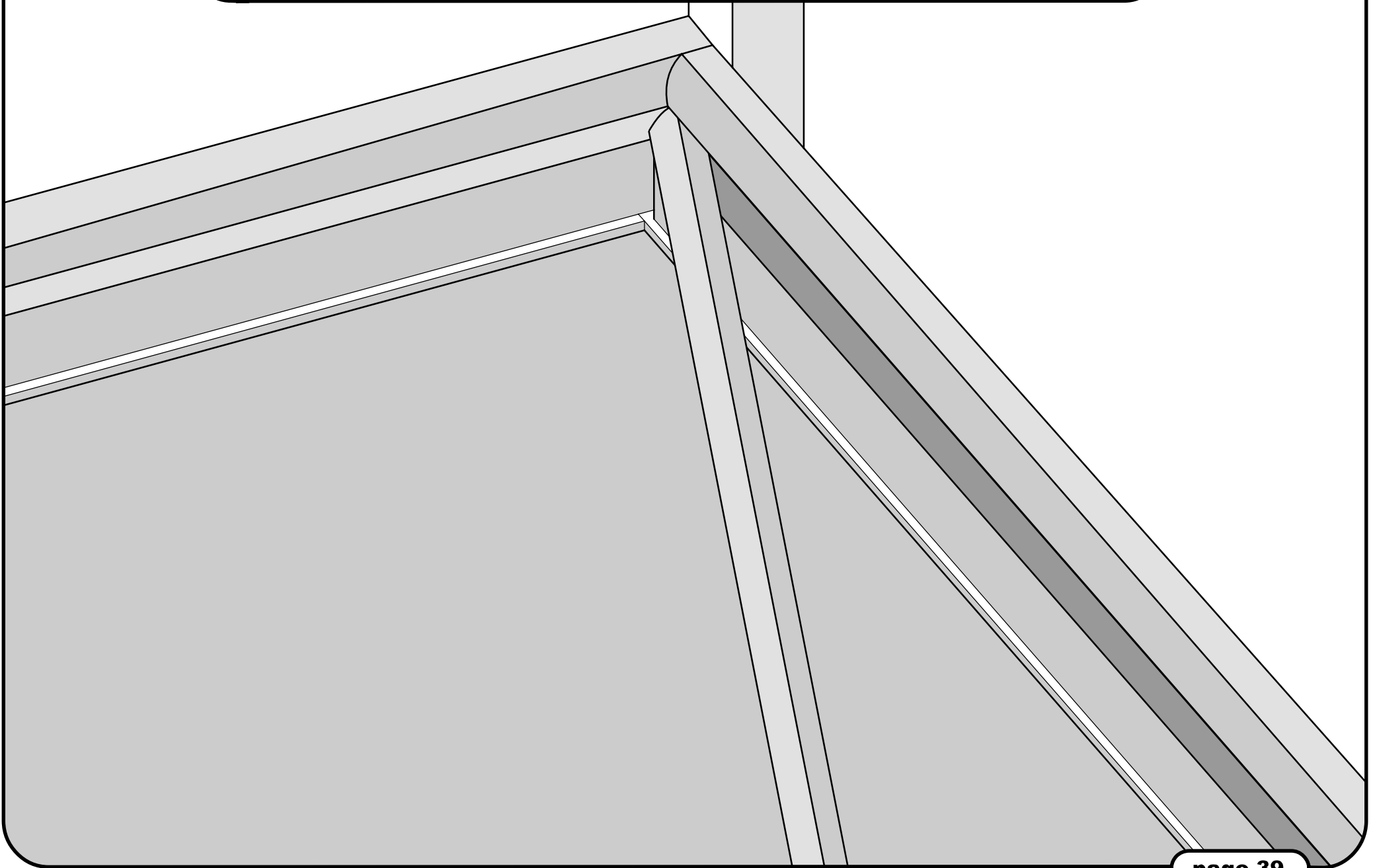
**Insert PVC trims
between panels
to cover junctions**



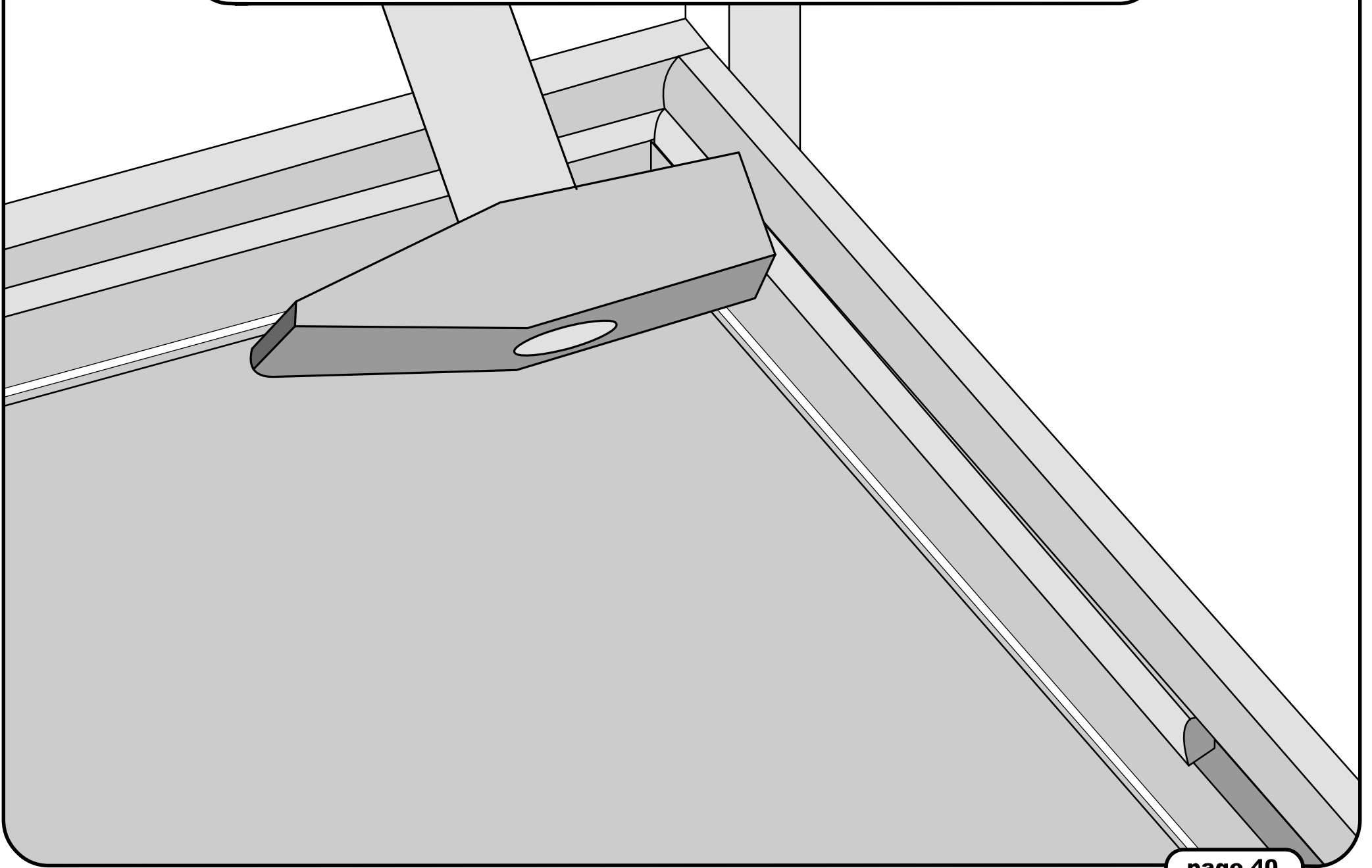
**Attach the PVC skirting board
with supplied screws (M4X20)**



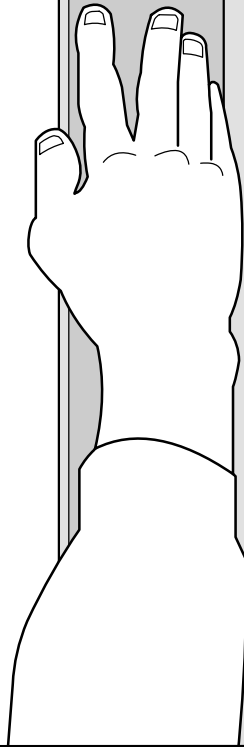
Use pressure to place PVC screw covering



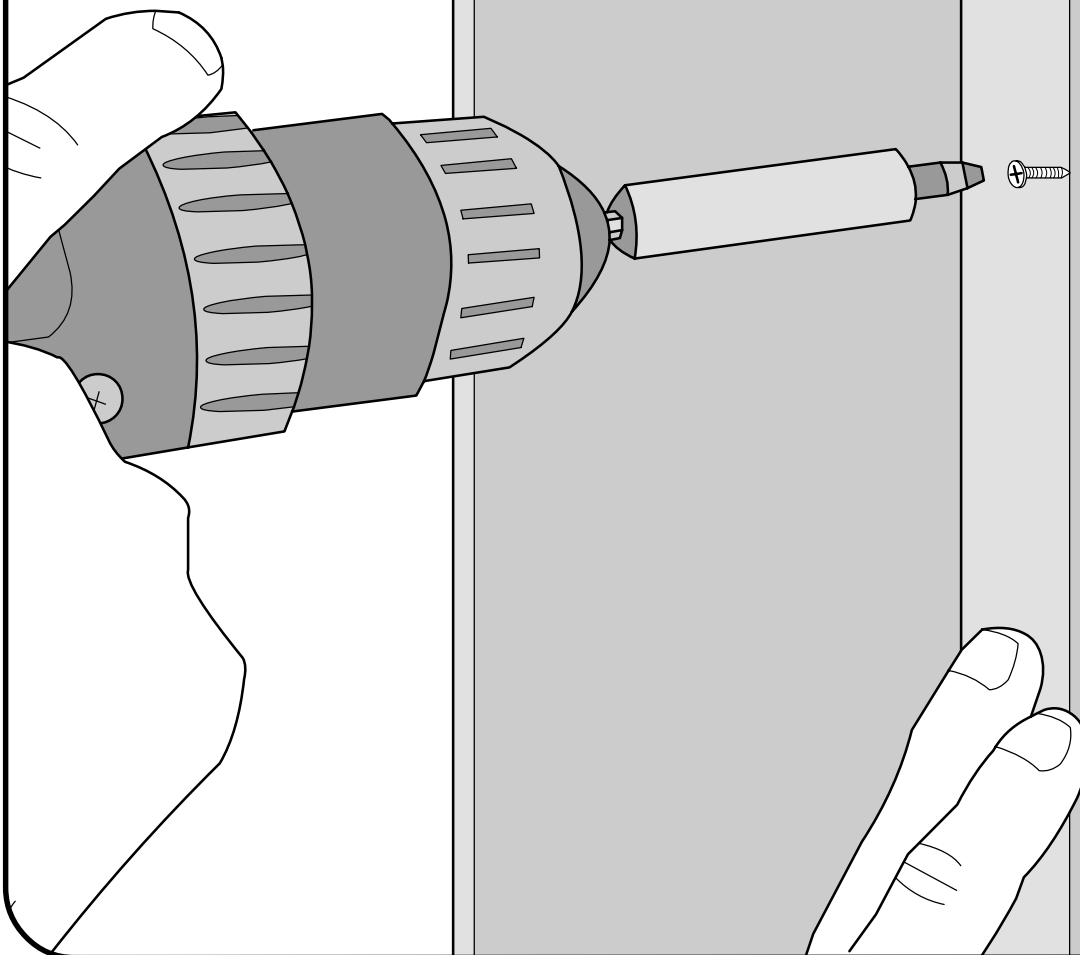
Use pressure to place PVC screw covering

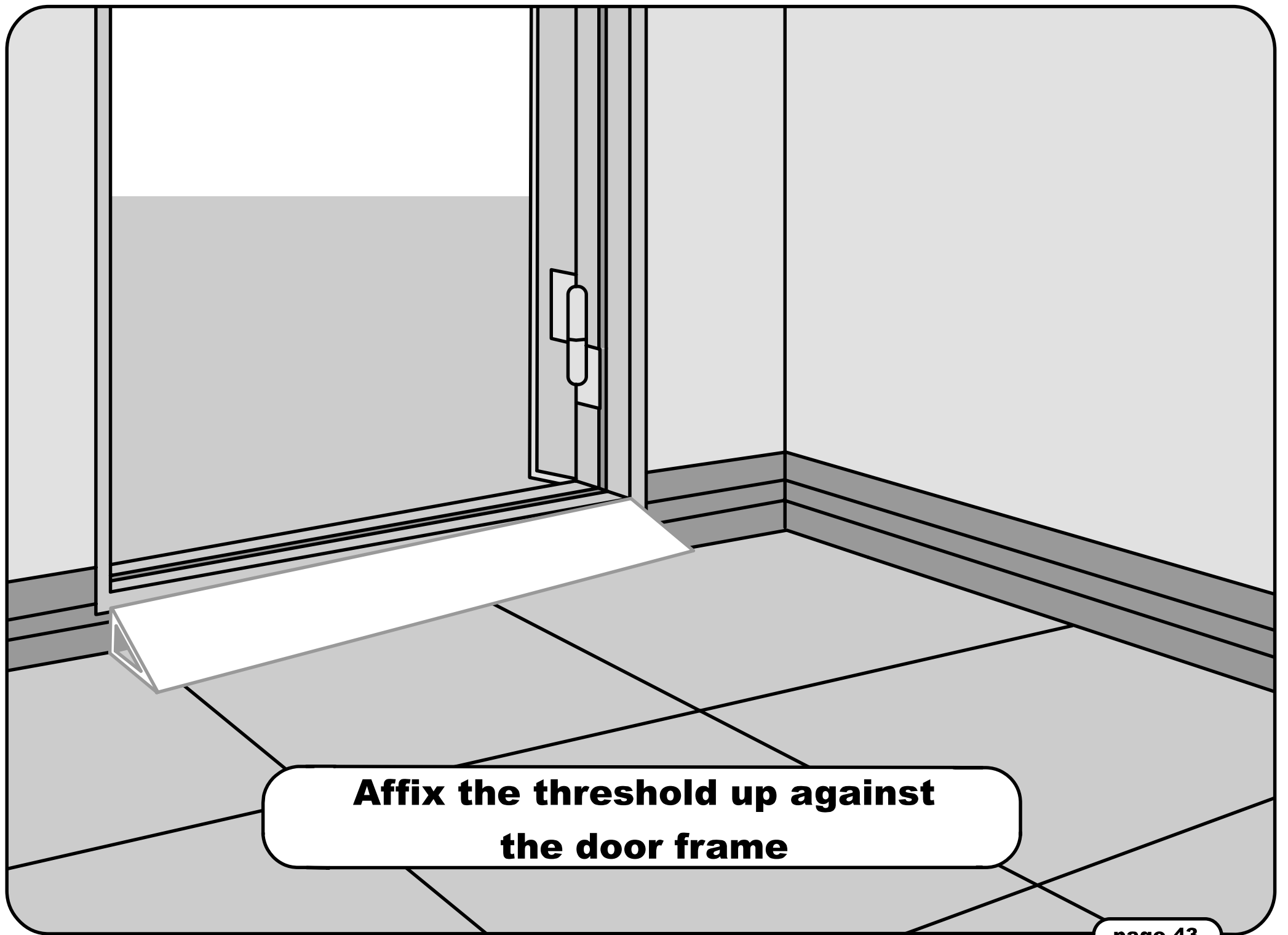


Position the corner molding



**Fix the corner molding
with supplied screws (M5X35)**





**Affix the threshold up against
the door frame**

Add the rubber door trim

